

3500 SERIES

Boiler Feed Pumps - Steel Tank



Shown with Optional Control Panel, Solenoid Operated Make-Up Water Valve, Steam Preheat Tube and 150 Series Temperature Control Valve.

Technical Specifications

Sterlco® 3500 Series Boiler Feed Units set new standards of performance. Reliable and efficient, each unit features heavy gauge, 3/16" steel receivers for long operating life.

In addition, 3450 RPM motors assure maximum efficiency while maintaining minimum motor horsepower. Available in a wide range of sizes, these U.S. made pumps have just the right accessories and options to meet your unique needs. What's more, a nationwide network of stocking distributors means fast, easy, year-round access to pumps and replacement parts.

Features

Standard Features

- Heavy gauge steel receivers
- Simplex or duplex construction
- Bronze fitted centrifugal pumps
- Energy efficient 3450 RPM motors
- "Sterl-Seal" ceramic pump seal (250°F)
- Heavy-duty make-up water valve
- Isolation valves and strainers
- Gauge Glass
- Wide range of options and accessories

Optional Features

- Stainless steel receivers
- Electric alternator for duplex units
- Thermometer
- Solenoid operated make-up water valve with reverse acting float switch
- McDonnel-Miller #21 make-up water valve
- Special motor construction such as totally enclosed, washdown duty and explosion proof is available
- 1750 RPM motors, larger pumping capacities and higher discharge pressures - consult factory
- Custom sized tanks available
- Complete NEMA 12 Control Panel



BEP-Bestobell
www.bestobell.com

Product Features

Receiver:

Heavy gauge stainless steel construction.
 Sizes ranging from 12.5 gallons up to 714 gallons.

Motors:

Heavy-duty, ballbearing, close-coupled pump motors with stainless steel shaft. 3450 RPM for greater efficiency and more economical operation.

Make-up Water Valve:

Mechanical, plug mounted valve with stainless steel float. Rated up to 45 PSI inlet water pressure. At pressures exceeding 45 PSI, a PRV is required on the inlet cold water line.

Operation:

Boiler feed pump(s) are controlled by a water level controller mounted on the boiler. If condensate is lost or delayed in the system, it is automatically replaced in the receiver through the make-up water valve.

"Sterl-Seal" Pump Seal:

Features the ultimate in ceramic technology for exceptionally long life. Because the seal runs on the bronze impeller hub, the motor shaft is literally outside the pump. Consequently, the shaft is not exposed to corrosion by condensate. Rated for temperatures up to 250°F.



Centrifugal Pump:

Offers a wide range of pressures and GPM. Unique design features provide for ease of servicing.



Shown with Optional Control Panel, Solenoid Operated Make-Up Water Valve, Steam Preheat Tube and 150 Series Temperature Control Valve.

Control Panel

Complete NEMA 12 Control Panel (Optional)

- Motor Circuit Protector
- HOA Selector Switch
- External Reset
- Control Circuit Transformer
- Pilot Light (pump running)
- Removable Mounting Plate and Terminal Strip in a Single NEMA 12 Enclosure
- Mounted and Wired with Single Point Power Connection.

BESTOBELL
AQUATRONIX
SINCE DEPUIS 1953

Head Office
 2880 Argentia Road, Unit 3
 Mississauga, ON L5N 7X8
 salesdesk@bestobell.com
 1-800-668-3979
 www.bestobell.com

Montréal Office
 970 Montée de Liesse, #204
 St-Laurent, QC H4T 1W7
 ventes@bestobell.com
 1-877-331-1225

Atlantic Office
 166 North Side Road
 Riverport, NS B0J 2W0
 dmossman@bestobell.com
 902-529-0355

*Since 1953, Quality Products to Sense, Measure & Control
 Depuis 1953, Produits De Qualités Pour Détecter, Mesurer & Contrôler*

Specifications

3500 Series Engineering and Capacity Data

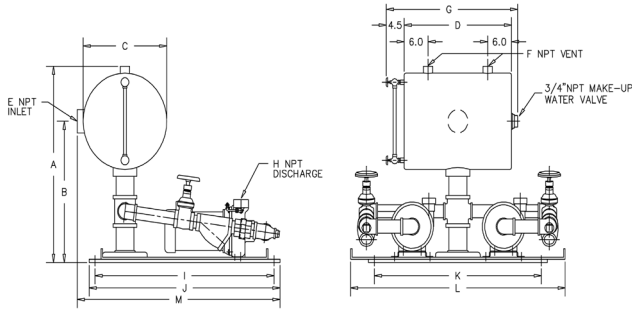
Boiler HP	Discharge Pressure PSI	Pump Capacity, GPM	Motor HP	Rec. Capacity, Gallons	Unit Model Number		Shipping Weight, lbs.	
					Simplex	Duplex	Simplex	Duplex
15	20	3	1/2	33	35215-GF	35215-GDF	265	325
	30		1/2		35315-JF	35315-JDF	285	365
	40		1		35415-JF	35415-JDF	290	375
	50		2		35515-JF	35515-JDF	310	415
30	20	6	1/2	33	35230-GF	35230-GDF	265	325
	30		1/2		35330-JF	35330-JDF	285	365
	40		1		35430-JF	35430-JDF	290	375
	50		2		35530-JF	35530-JDF	310	415
45	20	9	1/2	49	35245-GF	35245-GDF	350	410
	30		1/2		35345-JF	35345-JDF	370	450
	40		1		35445-JF	35445-JDF	375	460
	50		2		35545-JF	35545-JD	395	500
60	20	12	1/3	65	35260-GF	35260-GDF	390	450
	30		1/2		35360-JF	35360-JDF	410	490
	40		1		35460-JF	35460-JDF	415	500
	50		2		35560-JF	35560-JDF	435	540
75	20	15	1/2	95	35275-GF	35275-GDF	440	500
	30		1/2		35375-JF	35375-JDF	460	540
	40		1		35475-JF	35475-JDF	465	550
	50		2		35575-JF	35575-JDF	485	590
100	20	20	1/2	95	352100-GF	352100-GDF	615	675
	30		1/2		353100J-F	353100-JDF	635	715
	40		1		354100-JF	354100-JDF	645	735
	50		2		355100-JF	355100-JDF	660	765
150	20	30	3/4	146	352150-GF	352150-GDF	720	790
	30		1		353150-JF	353150-JDF	740	830
	40		1-1/2		354150-JF	354150-JDF	750	850
	50		3		355150-JF	355150-JDF	770	890
200	20	40	1	210	352200-JF	352200-JDF	930	1020
	30		1 1/2		353200-JF	353200-JDF	935	1030
	40		2		354200-JF	354200-JDF	940	1040
	50		3		355200-JF	355200-JDF	960	1080
250	20	50	1	264	352250-JF	352250-JDF	990	1085
	30		1 1/2		353250-JF	353250-JDF	995	1095
	40		2		354250-JF	354250-JDF	1010	1125
	50		3		355250-JF	355250-JDF	1015	1135
300	20	60	1 1/2	326	352300-JF	352300-JDF	1075	1175
	30		2		353300-JF	353300-JDF	1090	1205
	40		2		354300-JF	354300-JDF	1090	1205
	50		5		355300-JF	355300-JDF	1145	1315
400	20	80	2	395	352400-JF	352400-JDF	1170	1285
	30		3		353400-JF	353400-JDF	1175	1295
	40		3		354400-JF	354400-JDF	1175	1295
	50		5		355400-JF	355400-JDF	1225	1395
500	20	100	2	470	352500-JF	352500-JDF	1335	1450
	30		3		353500JF	353500-JDF	1340	1460
	40		3		354500-JF	354500-JDF	1340	1460
	50		5		355500-JF	355500-JDF	1390	1560
600	20	120	2	595	352600-JF	352600-JDF	1440	1555
	30		3		353600JF	353600-JDF	1445	1565
	40		3		354600-JF	354600-JDF	1495	1665
	50		5		355600-JF	355600-JDF	1495	1665
700	20	140	3	714	352700-JF	352700-JDF	1555	1675
	30		5		353700JF	353700-JDF	1605	1775
	40		5		354700-JF	354700-JDF	1605	1775
	50		7 1/2		355700-J	355700-JD	1615	1795

Sample Specification

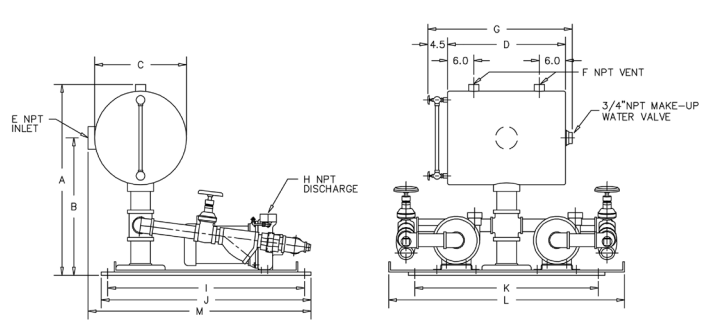
Furnish and install, where indicated on plans, a Sterling 3500 Series (simplex, duplex, triplex...) boiler feed unit(s). Each pump shall deliver ____GPM at a discharge pressure of _____ PSI. The unit(s) shall be factory assembled and tested by the pump manufacturer and shall include a receiver, pump(s), make-up water valve, gauge glass, isolation valve(s) and strainer(s) on the pump suction and accessories. The receiver shall have a capacity of _____ gallons and be of minimum 3/16" steel construction. Pump(s) shall be of the centrifugal type with two-piece enclosed brass impeller, cast iron housing, high temperature (250°F) mechanical seal and stainless steel motor shaft. The make-up water valve is to be a mechanical plug type with a stainless steel float. A flat perforated brass strainer shall be provided at the inlet to the pump from the tank. The motor(s) shall be vertical, 3450 RPM, _____phase, _____volt, 60 cycle, _____H.P.

Product Diagrams

Simplex

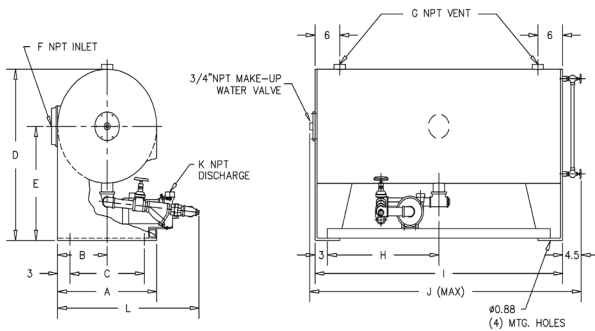


Duplex

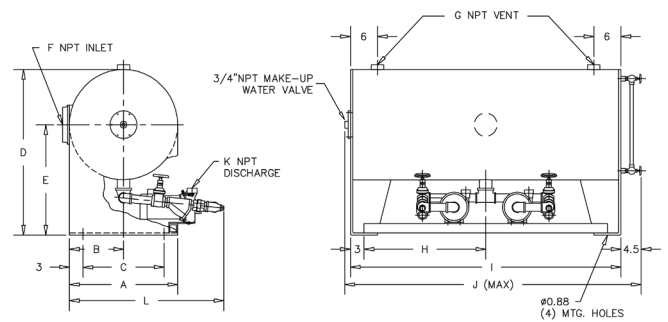


Gallon	A	B	C	D	E	F	G	H		I	J	K	L	M
								G Pump	J Pump					
33	32.5	22.5	18	30	4	1	36.5	.75	1.5	30	32	28	36	36
49	34.5	23.5	20	36	5	1.25	42.5	.75	1.5	30	32	28	36	37
65	34.5	23.5	20	48	5	1.5	54.5	.75	1.5	30	32	28	36	37
95	38.5	25.5	24	48	6	1.5	54.5	.75	1.5	30	32	28	36	39

Simplex



Duplex



Gallon	A	B	C	D	E	F	G	H	I	J	K		L
											G Pump	J Pump	
117	24	12	18	36	24	6	2	27	60	67	.75	1.5	36
146	27	13.5	21	39	25.5	6	2	27	60	67	.75	1.5	39
175	30	15	24	42	27	6	2	27	60	67	.75	1.5	42
210	32	16	26	44	28	6	2	27	60	67	.75	1.5	44
264	36	18	30	48	30	6	2	27	60	67	.75	1.5	48
326	40	20	34	52	32	6	2	27	60	67	.75	1.5	52
395	40	20	34	52	32	6	2	33	72	79	.75	1.5	52
470	48	24	42	60	36	6	2	27	60	67	.75	1.5	60
564	48	24	42	60	36	6	2	33	72	79	.75	1.5	60
595	54	27	48	66	39	6	2	27	60	67	.75	1.5	66
714	54	27	48	66	39	6	2	33	72	79	.75	1.5	66