

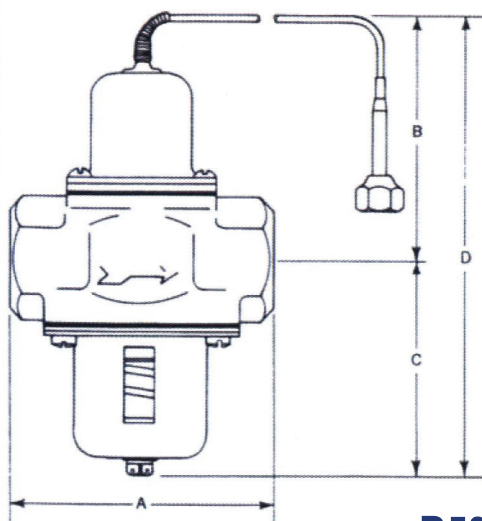
## 56 Series Features

The Sterlco® 56 Series Pressure Actuated Water Regulating Valve features a compact, dependable design made from sturdy, brass alloy casting. To accommodate pressures from 70 to 260 PSI without changing springs, simply turn the adjustment screw at the base of the valve.

You can easily mount the valve in any position without mounting brackets. The 56 Series valve comes with a sturdy actuating element with powerful bellows designed for use with open and hermetically sealed condensing units. The valve is designed with a zinc-coated steel spring and provisions for easy manual flushing after installation.

Head Pressure Range	Water Pressure	Connection	Body	Seat Disc	Seat Bead	Spring Housing
70-260 PSI	125 PSI	1/4" flare, 30" capillary	Brass alloy casting	Buna-N	Stainless Steel	Enclosed steel for extra strength and protection

	A (In.)	B (In.)	C (In.)	D (In.)	Width (In.)	Weight	Cv
3/8"	3-3/32	3-11/32	3-1/32	6-3/8	2-1/8	2lbs. 6oz	2.0
1/2"	3-3/32	3-11/32	3-1/32	6-3/8	2-1/8	2lbs. 6oz	4.5
3/4"	3-3/8	4-1/16	3-1/4	7-5/16	2-1/8	3lbs. 6oz	7.8
1"	4-3/4	4-3/16	3-27/32	8-1/16	2-3/4	6lbs. 2oz	10.8
1 1/4"	5-1/4	4-3/16	3-27/32	8-1/16	2-3/4	7lbs.	12.5



**BESTOBELL**  
**AQUATRONIX**  
SINCE DEPUIS 1953

**Head Office**  
 2880 Argenta Road, Unit 3  
 Mississauga, ON L5N 7X8  
 salesdesk@bestobell.com  
 1-800-668-3979  
 www.bestobell.com

**Montréal Office**  
 970 Montée de Liesse, #204  
 St-Laurent, QC H4T 1W7  
 ventes@bestobell.com  
 1-877-331-1225

**Atlantic Office**  
 166 North Side Road  
 Riverport, NS B0J 2W0  
 dmossman@bestobell.com  
 902-529-0355

*Since 1953, Quality Products to Sense, Measure & Control  
 Depuis 1953, Produits De Qualités Pour Détecter, Mesurer & Contrôler*