

**INTERIOR WALL MOUNT****EXTERIOR WALL MOUNT**

Product Features

- *Low Cost*
- *High Accuracy*
- *Factory Calibrated*
- *2 Wire, Loop powered Operation(4-20 mA Output) Available*

Description

The INTEMPCO HVAC series ambient temperature sensors offer high accuracy, low cost temperature measurement that can withstand tough industrial and HVAC applications for ducts.

The rugged stainless steel sensor has high chemical contamination resistance and handles extreme ventilation conditions. Interior wall mount model is esthetic and blends in well with today's modern decor

Overview

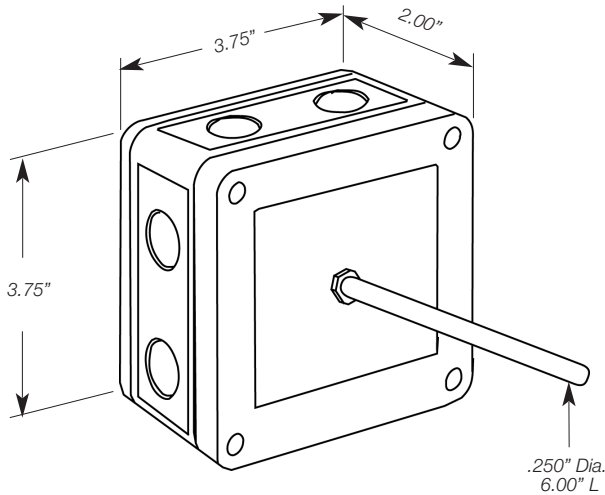
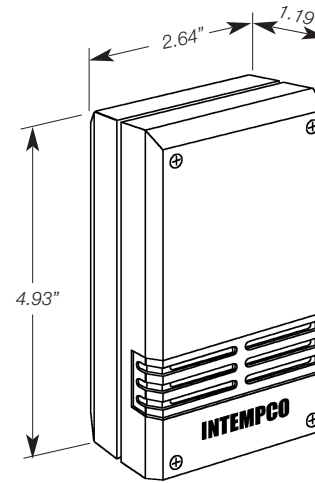
The HVAC series temperature sensor/transmitters are designed for use in energy management, environmental and process control industries. They utilize a Thermistor or RTD. As specified by customer and can have a 4-20mA output on custom ranges.

The RTD transmitter combination supplies the highest accuracy for HVAC purposes as well as delicate process control.

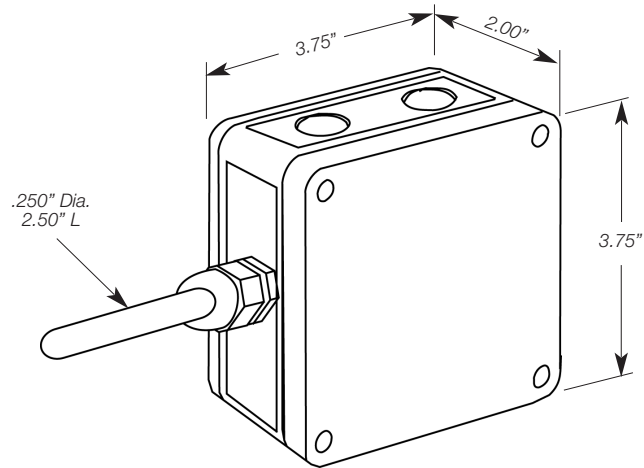
Temperature Transmitter Option A or B

Power Input	12 - 36 VDC
Temperature Output	4-20mA two-wire
Temperature Accuracy	±0.3°C (0.5°F) at room Temp. or ±0.15°C (0.25°F) Special
Temperature Stability	±0.1°C Typical at room Temp. per 5 years
Time Constant	50 sec. in air at 10ft/sec.
Operating Environment	-23°C to 85°C (-10°F to 185°F) non-condensing
Storage Environment	-50°C to 85°C (-58°F to 185°F) non-condensing
Recommended R load	100 ohm @12 VDC 500 ohm @ 24 VDC

HTX01 WALL MOUNT



DUCT MOUNT
NEMA 4X



EXTERIOR WALL MOUNT

MODEL
NUMBER

R200

ENCLOSURE
TYPE



TEMPERATURE
SENSOR OPTION



Enclosure Type	CODE
Wall Mount, Exterior	01
Wall Mount, Interior	01A
Duct Mount, NEMA 4	02
Duct Mount, General	02A

CODE	Temperature Sensor Option
A	4-20mA, 0-50°C
B	4-20mA, SPECIFY RANGE
C	Pt 100 ohm DIN 43760
D	1000 ohm DIN 43760
E	10,000 ohm THERMISTOR
F	3,000 ohm THERMISTOR
G	THERMISTOR, OTHER SPECIFY

BESTOBELL
AQUATRONIX
SINCE DEPUIS 1953

Head Office
2880 Argentinia Road, Unit 3
Mississauga, ON L5N 7X8
salesdesk@bestobell.com
1-800-668-3979
www.bestobell.com

Montréal Office
970 Montée de Liesse, #204
St.Laurent, QC H4T 1W7
ventes@bestobell.com
1-877-331-1225

Atlantic Office
166 North Side Road
Riverport, NS B0J 2W0
dmossman@bestobell.com
902-529-0355

Since 1953, Quality Products to Sense, Measure & Control
Depuis 1953, Produits De Qualités Pour Détecter, Mesurer & Contrôler