



Two-wire/Plug-in Sensor

Toxic Gas Transmitters

Models TX- [*]EP-A / TX-[*]EP-D / TX-[*]EP-N



+ Plug-in Sensor for Easy Replacement

+ Disposable Type Sensor

+ One-man calibration

+ Low power consumption

Model TX-1250EP-A

Bionics offers simple, compact yet complete toxic gas detecting systems with the TX-[*]EP-A/EP-D/EP-N transmitter series.

The Bionics disposable type toxic gas sensors GS-[*]EP, to be used in combination with the TX-[*]EP-A/EP-D/EP-N transmitters, are gas-specific, stable and available for a wide range of different gases.

Furthermore, sensor is new plug-in type which provides easy replacement. The transmitter is equipped with zero and span adjustments accessible, allowing one-man calibration without communication with control room personnel.

* 3 or 4 digits gas code number as same as sensor model number which indicate in the Measuring gas name and range on next page.

Measuring gas name and range

| Sensor model | Gas name | Range (ppm) | Sensor model | Gas name | Range (ppm) |
|--------------|------------------|-------------|--------------|------------------|-------------|
| GS-250EP | H ₂ S | 0-50 | GS-2250EP | EtO | 0-150 |
| GS-550EP | SO ₂ | 0-6 | GS-3050EP | TEOS | 0-30 |
| GS-1100EP | O ₂ | 0-25% | GS-3355EP | VCM | 0-200 |
| GS-1250EP | CO | 0-75 | GS-5050EP | SiH ₄ | 0-15 |
| GS-1555EP | H ₂ | 0-4000 | GS-5050EP | PH ₃ | 0-1 |
| GS-1790EP | NO | 0-100 | GS-5050EP | AsH ₂ | 0-0.2 |
| GS-2150EP | IPA | 0-600 | GS-5050EP | GeH ₄ | 0-0.6 |



GS-[*]EP Sensor

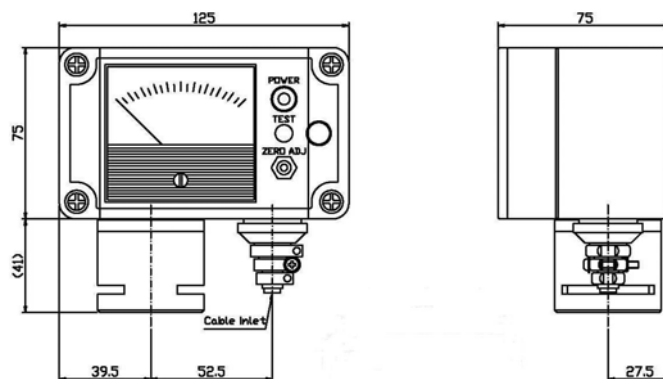
Above table indicates typical sensor model, gas name and standard range.

When you need different gases information, feel free to contact Bionics Instrument group below.

Specifications

| Transmitter model | TX-[*]EP-A | TX-[*]EP-D | TX-[*]EP-N |
|-----------------------|-------------------------------------|--------------|--------------|
| Detecting principle | Electrochemical | | |
| Response | T60 < 30 sec | | |
| Accuracy | ± 30% of Alarm setting amount | | |
| Display | Analog | Digital | Non |
| Sampling style | Diffusion, Continuous, Single point | | |
| Mounting style | Wall mount | | |
| Operating temperature | 0 ~ 40°C | | |
| Explosion proof | Non | | |
| Power requirement | 24 V DC (2 wire system) | | |
| Power consumption | Approx. 1 W | | |
| Dimension | Approx. 125(W) x 115(H) x 75(D) mm | | |
| Weight | Approx. 1 kg | | |

External view & Dimensions



Unit : mm

※We reserve the right to change specifications without notice.

Bionics Instrument Co., Ltd.

6-1254-2 Shimizu, Higashi-yamato, Tokyo, 207-0004 Japan

TEL: +81-42-561-4856 FAX: +81-42-565-3950

e-mail: trade@bionics-japan.co.jp

URL : <http://www.bionics-japan.co.jp>

BESTOBELL
AQUATRONIX
SINCE DEPUIS 1953

Head Office
2880 Argentia Road, Unit 3
Mississauga, ON L5N 7X8
salesdesk@bestobell.com
1-800-668-3979
www.bestobell.com

Montréal Office
970 Montée de Liesse, #204
St-Laurent, QC H4T 1W7
ventes@bestobell.com
1-877-331-1225

Atlantic Office
166 North Side Road
Riverport, NS B0J 2W0
dmossman@bestobell.com
902-529-0355

Since 1953, Quality Products to Sense, Measure & Control
Depuis 1953, Produits De Qualités Pour Détecter, Mesurer & Contrôler