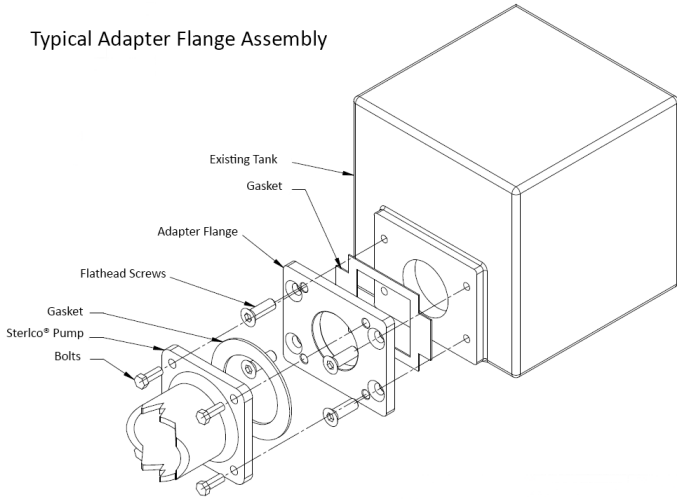


# ADAPTER FLANGES FOR RETROFIT

Typical Adapter Flange Assembly

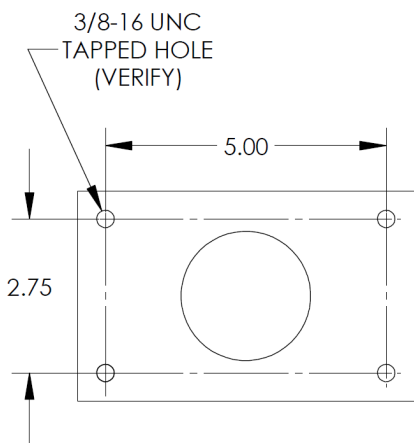


## Technical Specifications

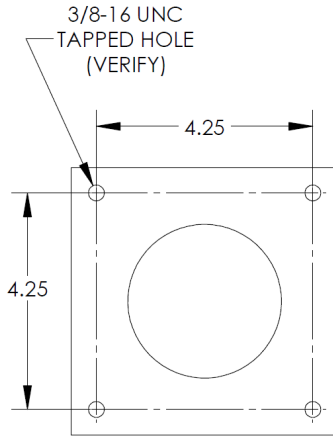
Kits for Mounting Sterlco Pumps to Hoffman, Domestic, Shipco, Skidmore, Aurora, Paco and Mepco Receivers.

Review Your Existing Flange Dimensions Below to Select the Correct Retrofit Kit.

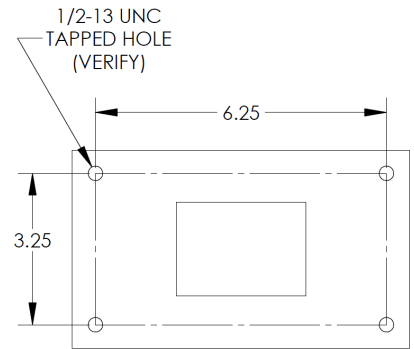
### Existing Flange Dimensions



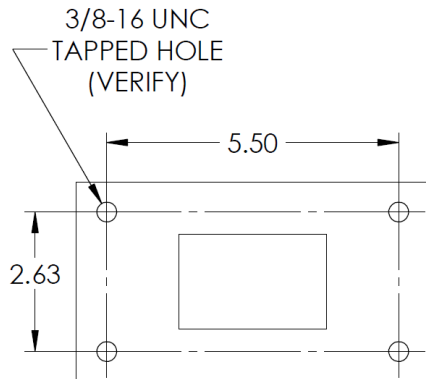
**HOFFMAN, DOMESTIC, SHIPCO  
TANK PUMP MOUNTING PAD  
DIMENSIONS**  
Order Sterlco® Kit P/N 684.00866.00



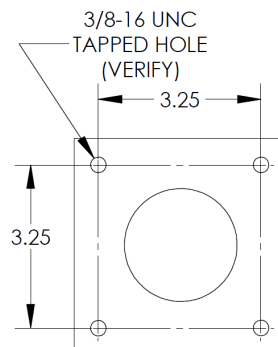
**SKIDMORE  
TANK PUMP MOUNTING PAD  
DIMENSIONS**  
Order Sterlco® Kit P/N 684.89068.00



**AURORA  
TANK PUMP MOUNTING PAD  
DIMENSIONS**  
Order Sterlco® Kit P/N 684.89033.00



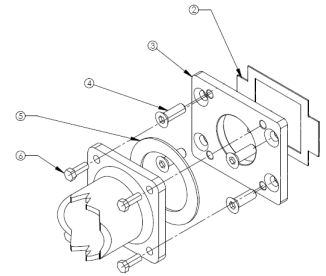
**PACO  
TANK PUMP MOUNTING PAD  
DIMENSIONS**  
Order Sterlco® Kit P/N 684.89032.00



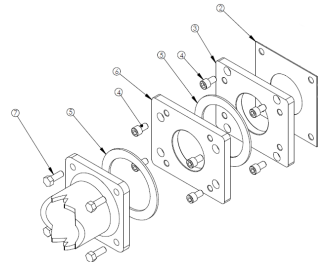
**MEPCO  
TANK PUMP MOUNTING PAD  
DIMENSIONS**  
Order Sterlco® Kit P/N 684.89061.00

**BESTOBELL**  
**AQUATRONIX**  
SINCE / DEPUIS 1953  
BEP-Bestobell  
[www.bestobell.com](http://www.bestobell.com)

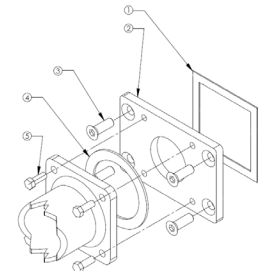
ADAPTER KIT FOR	DESCRIPTION	ITEM #	PART #	QTY
<b>HOFFMAN, DOMESTIC &amp; SHIPCO</b>	<b>Adapter Kit</b>		<b>684.00866.00</b>	
Includes	Adapter Tank Gasket	2	544.00865.00	1
	Adapter Plate	3	634.00739.00	1
	Flat Head Cap Screw 3/8X1-1/4	4	001.24402.00	4
	Suction Gasket	5	544.00003.00	1
	Hex Head Bolt 3/8-16X1	6	001.05915.00	4



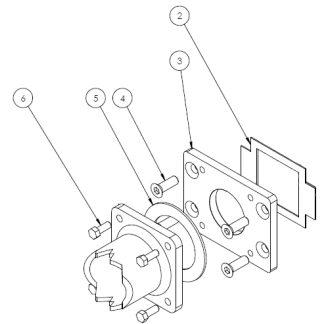
SKIDMORE	Adapter Kit	ITEM #	684.89068.00	QTY
Includes	Adapter Tank Gasket	2	544.89113.00	1
	Adapter Plate	3	634.89069.00	1
	Adapter Plate	6	634.89067.00	1
	Suction Gasket	5	544.00003.00	2
	Hex Cap Screw 3/8-16X5/8	4	001.06354.00	8
	Hex Head Bolt 3/8-16X1	7	001.05915.00	4



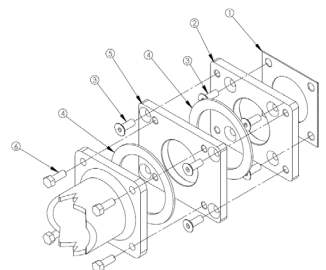
AURORA	Adapter Kit	ITEM #	684.89033.00	QTY
Includes	Adapter Tank Gasket	1	544.89111.00	1
	Adapter Plate	2	643.89014.00	1
	Flat Head Cap Screw 1/2-13X1-1/4	3	403.02472.00	4
	Suction Gasket	4	544.00003.00	1
	Hex Head Bolt 3/8-16X1	5	001.05915.00	4



PACO	Adapter Kit	ITEM #	684.89032.00	QTY
Includes	Adapter Tank Gasket	2	544.00865.00	1
	Adapter Plate	3	634.89013.00	1
	Flat Head Cap Screw 3/8-16X1-1/4	4	001.24402.00	4
	Suction Gasket	5	544.00003.00	1
	Hex Head Bolt 3/8-16X1	6	001.05915.00	4



MEPCO / DUNHAM-BUSH	Adapter Kit	ITEM #	684.89061.00	QTY
Includes	Adapter Tank Gasket	1	544.89112.00	1
	Adapter Plate	2	643.89062.00	1
	Flat Head Cap Screw 3/8-16X1	3	001.24401.00	8
	Adapter Plate	5	634.89027.00	1
	Suction Gasket	4	544.00003.00	2
	Hex Head Bolt 3/8-16X1	6	001.05915.00	4



\*\*\* Please Consult Factory for Adapter Flange Kits Not Listed