



Sludge Watch 715

Sludge Blanket Detector

PRODUCT DATASHEET

APPLICATIONS

Sewage Treatment - Final Tanks
- Primary Tanks
Water Treatment - Clarifiers
- Thickeners
Lamella Separators

BENEFITS

Reliable, Repeatable
Measurement
Not Operator Dependent
Improved Tank Desludging

FEATURES

No User Adjustment Required
Cable Management
Uses Standard 9V Battery



The Sludge Watch 715 provides a simple, low cost method of spot checking the sludge blanket level in a wide variety of settlement tanks. The cable reel design removes the need for any additional carrying bag.

The Sludge Watch 715 uses range of infrared sensors to make the sludge interface detection. Infrared attenuation has been selected as it is ideally suited to detecting the sludge present in the interface zone. This tends to be considerably 'thinner' than the sludge that is present at the bottom of a settlement tank.

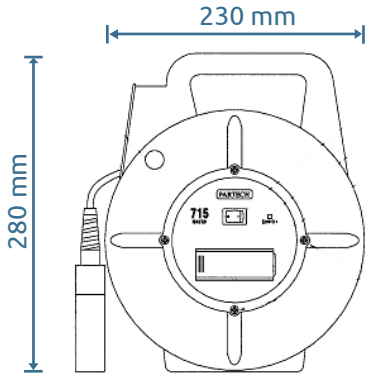
This method of sludge blanket detection offers major improvement over traditional Sludge Judge type systems in terms of both repeatability and importantly health and safety - no more manhandling 4 metre tubes full of contaminated wastewater.



Sludge Watch 715

Sludge Blanket Detector

PRODUCT DATASHEET



Order Codes

Part No	Description
107800	SludgeWatch 715 Portable c/w IR100 Sensor (Cable Length: 10 metres)
100610	SludgeWatch 715 Portable c/w IR40 Sensor (Cable Length: 10 metres)
107790	SludgeWatch 715 Portable c/w IR15 Sensor (Cable Length: 10 metres)
141300	SludgeWatch 715 Portable c/w IR8 Sensor (Cable Length: 10 metres)

Publication No: 162710DS-Iss12

The company reserves the right to alter the specification without prior notice. E&OE

Physical

Dimensions
Weight
Protection Class

Enclosure Material
Cable Length

Electrical

Power Supply
Battery Life

Environmental Data

Operating Temperature

User Interface

Display
Audible Output

Measurement

Accuracy
Principal of Operation
Wavelength
Resolution
Units of Measurement
Response Time

Sensor Selection

IR100

IR40

IR15

IR8

280 x 230 x 130mm
1.7kg including sensor and 10 metres
Electronics: IP54 Sensor: IP68
Sensor: IP68
Dark Blue Nylon
10 metres standard, 15 metres maximum

9V Battery (PP3)
6 months typical use

0 to 50°C, limited by risk of ice formation interfering with measurement

Front Panel LED - 'ON' in Sludge
Short Tone in Water
Long Tone in Sludge

+/- 1 cm of interface
Light Attenuation
960nm Infrared
Standard cable markings every 1.0 metres
Metres
0.5 seconds

Range: 0-200 mg/l
Optical Path: 100mm
Special Application
Range: 0-1,500
Optical Path: 40mm
Wastewater Treatment - Final Settlement and Humus Tank
Drinking Water Treatment - Clarifiers
Range: 0-10,000 mg/l
Optical Path: 15mm
Wastewater Treatment - Primary Settlement Tanks
Drinking Water Treatment - Picket Fence Thickeners
Range: 0-30,000 mg/l
Optical Path: 8mm
Wastewater Treatment - Picket Fence Thickeners



Call us on + 44(0) 1726 879800 www.partech.co.uk

Address: Rockhill Business Park, Higher Bugle, St Austell, Cornwall PL26 8RA, UK E: info@partech.co.uk

BESTOBELL
AQUATRONIX
SINCE DEPUIS 1953

Head Office
2880 Argentinia Road, Unit 3
Mississauga, ON L5N 7X8
salesdesk@bestobell.com
1-800-668-3979
www.bestobell.com

*Since 1953, Quality Products to Sense, Measure & Control
Depuis 1953, Produits De Qualités Pour Détecter, Mesurer & Contrôler*

Montréal Office
970 Montée de Liesse, #204
St-Laurent, QC H4T 1W7
ventes@bestobell.com
1-877-331-1225

Atlantic Office
166 North Side Road
Riverport, NS B0J 2W0
dmossman@bestobell.com
902-529-0355