

## Meters



See-Flo® Meters indicate flow rate and permit visual inspection of water, air or other transparent fluids. For general purpose industrial service, See-Flo® meters handle a wide range of process fluids in vertical or horizontal piping runs.

The wedge shape of the meter housing makes See-Flo® practically self-cleaning. Where periodic maintenance might be necessary, the tempered glass window is easily removed and replaced.

## Features

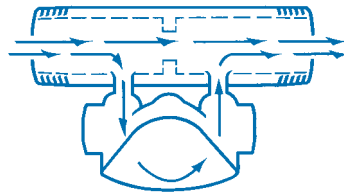
- Instantaneous flow rate measurement.
- Observe fluid conditions for color, clarity and flow.
- Use in horizontal or vertical piping systems.
- Individually calibrated for fluid and operating conditions.
- User selectable 10:1 turndown flow ranges. (See Meter Rangeability Sizing Tables)
- User selectable units of measure including dual units of measure.
- No floats to get stuck, tubes to break or dynamic seals to leak.
- Low pressure loss.
- Simple design with few parts for long service life.

## Principle of Operation

See-Flo® meters are variable area flow rate meters (“rotameter”). The internal volume of the housing enlarges from the inlet to the outlet. The primary element is a tempered alloy vane with one end affixed to the apex of the meter housing. As the flow rate changes, the vane is flexed in direct proportion.



The ½", ¾", and 1" connections typically have female threaded ends. Sizes 1¼" through 12" utilize an integral by-pass housing enables larger connection sizes in the



format of a spool with a constant 12" end to end dimension. In addition, it permits a wide variety of connection types which include threaded, flanged, grooved ends and tri-clamp.

## Applications

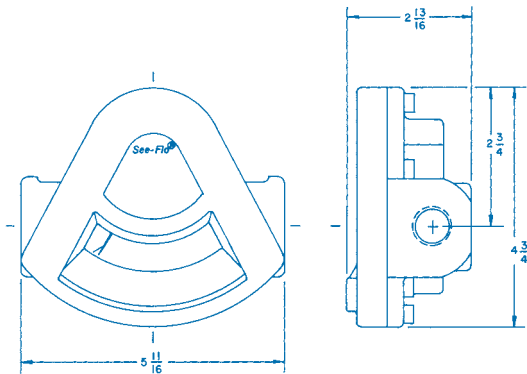
- Water
- Air
- Nitrogen
- Vacuum service
- Other transparent liquids or gases.

## Specifications

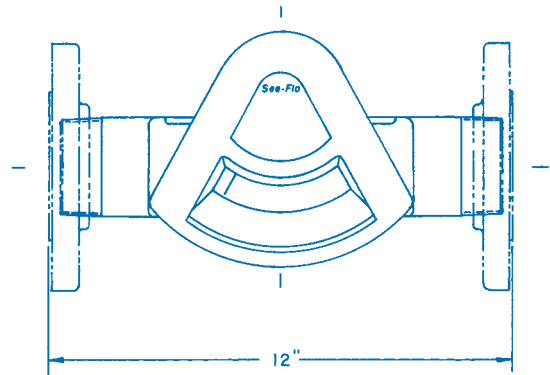
<b>Accuracy:</b>	± 2% full scale
<b>Repeatability:</b>	± 1% full scale
<b>Scales:</b>	Direct reading
<b>Resolution:</b>	Maximum - 30 divisions Minimum - 15 divisions
<b>Materials of Construction:</b>	(wetted parts)
Housing:	aluminum, brass or 316 stainless steel
Shunt:	housing material or carbon steel
Window:	tempered glass
Vane:	17-7 ph stainless steel
“O” Rings:	buna-n, ethylene propylene, Viton® or perfluoroelastomer

## Meters

### 1/2", 3/4", & 1" connections



### 1 1/4" to 6" connections



#### Piping Connections:

- 1/2" to 1" NPT Female
- 1 1/4" to 4" NPT Male
- 1/2" to 3" Tri-clamp
- 1 1/4" to 6" Grooved
- 1 1/4" to 6" Beveled
- 1/2" to 12" 150#/300# RF/FF ANSI Flanges (carbon stl)
- 1/2" to 12" 150# RF ANSI Flanges (stainless steel)
- 1/2" to 6" 150#/300# RF ANSI Flanges (aluminum)
- 1/2" to 6" 150# FF ANSI Flanges (brass)
- 15 to 25 mm DIN 2999/BS21/ISO R7 Female threaded
- 15 to 150 mm DIN PN 10 Flanges (316 stainless stl & carbon stl)

**Pressure Limits:** 200 psig (13.8 bar)

#### Temperature Limits:

- 23 to 85°C (-10 to 185°F) with polycarbonate window.
- 23 to 121°C (-10 to 250°F) with buna-n o-ring.
- 23 to 204°C (-10 to 400°F) with Viton®, ethylene propylene or perfluoroelastomer o-ring

Not intended for use with opaque liquids or steam. ERDCO reserves the right to alter design and/or specifications without notice. Viton® is a registered trademark of E.I. duPont de Nemours and Co.

#### Model Number System

The example 3221-12F5-11 describes a 3200 Series See-Flo® meter with a brass body/carbon steel shunt for left to right flow, glass window and EPM O-Ring. Connections are 3" 150# raised face carbon steel flanges.

32 Series	2 Housing Material	1 Flow Direction	12 Size	F Type	5 Shunt Material	1 Window	1 O-Ring
32-3200	1-Aluminum 2-Brass 6-Stainless Stl	1-L to R 2-R to L 3-Up 4-Down	02-1/2" (15mm) 03-3/4" (20mm) 04-1" (25mm) 05-1 1/4" (32mm) 06-1 1/2" (40mm) 08-2" (50mm) 10-2 1/2" (65mm) 12-3" (80mm) 16-4" (100mm) 20-5" (125mm) 24-6" (150mm) *32-8" *40-10" *48-12"	T-NPT End R-NPT Back S-Tri-clamp G-Grooved X-Beveled W-Socket (1/2"-1") F-Flange 150#RF H-Flange 150#FF J-Flange 300#RF K-Flange 300#FF L-Flange DIN PN16 M-BSPT End N-BSPT Back	0-None 1-Aluminum 2-Brass 5-Carbon Stl 6-Stainless Stl	1 Glass 2 Polycarbonate	1 EPM 2 Viton® 3 Buna-N 4 Perfluoroelastomer

\*gas applications only

**ERDCO®**