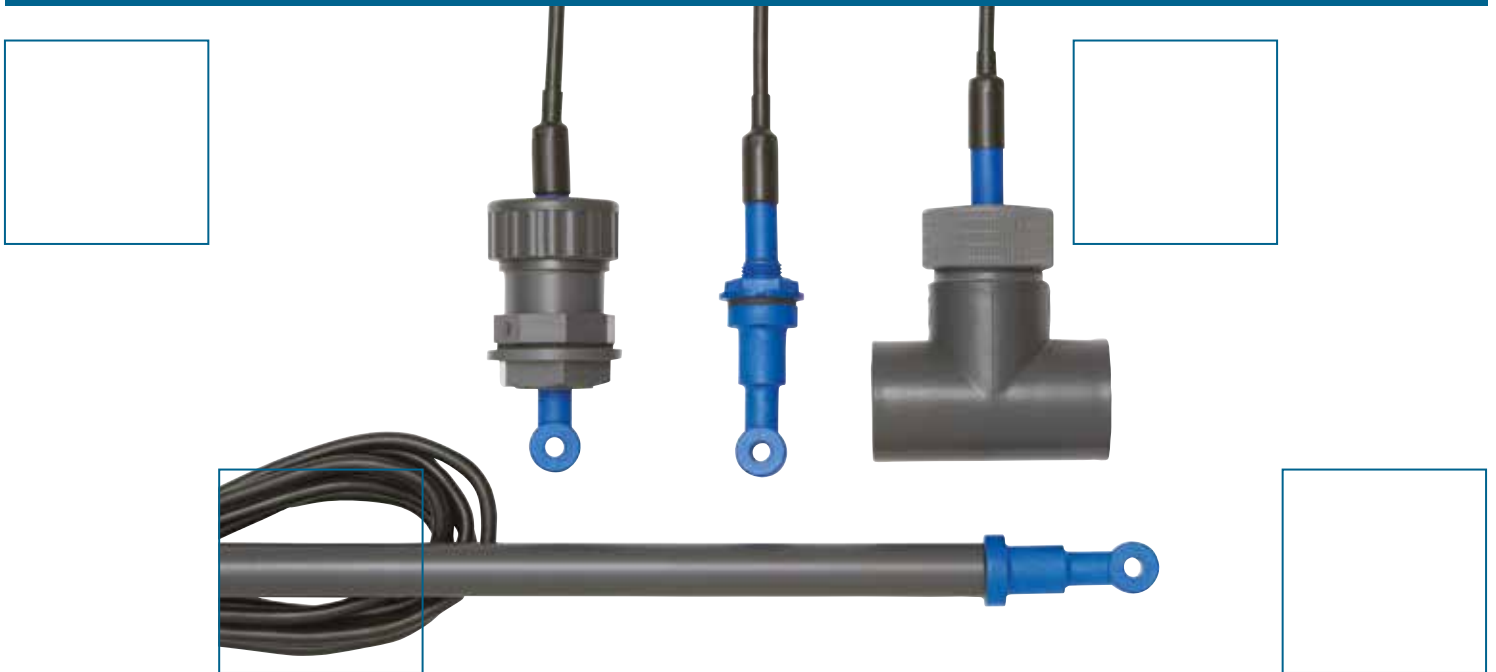


ECS20 SERIES

Low Cost Electrodeless Conductivity Sensors.



Features

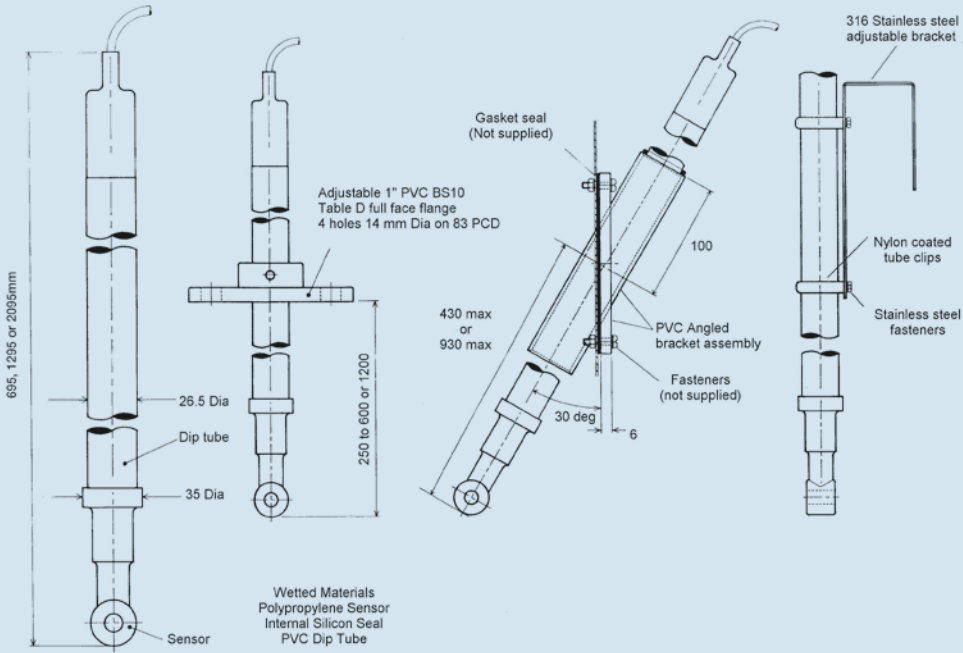
- Low maintenance
- Inline, dip and tank mounting options
- Ideal for cooling tower bleed, rinse water & solution concentration applications
- Competitively priced

The ECS20 series of electrodeless conductivity sensors have been developed and engineered to produce a very low cost sensor without sacrificing performance or quality. This has been achieved by injection moulding the sensor in glass loaded polypropylene.

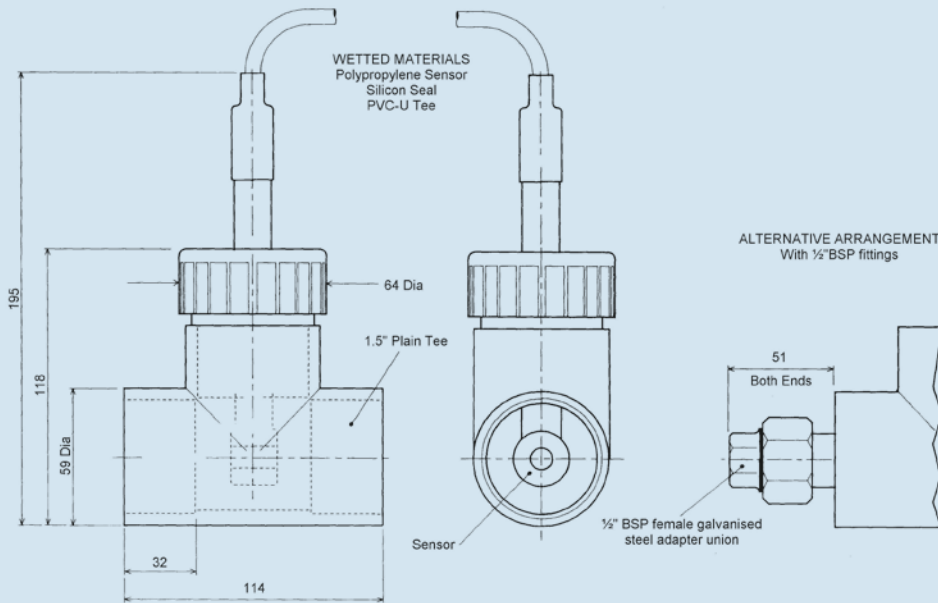
The ECS20 series sensors are extremely tolerant of coating on the sensor, probably the greatest problem with conventional conductivity measurement. The sensors will operate with virtually zero maintenance and provide reliable measurement.

The ECS20T incorporates temperature compensation and by utilising the correct version and suitable mounting accessories the sensors can be mounted inline, in an open tank, in a tank wall or a large bore pipe.

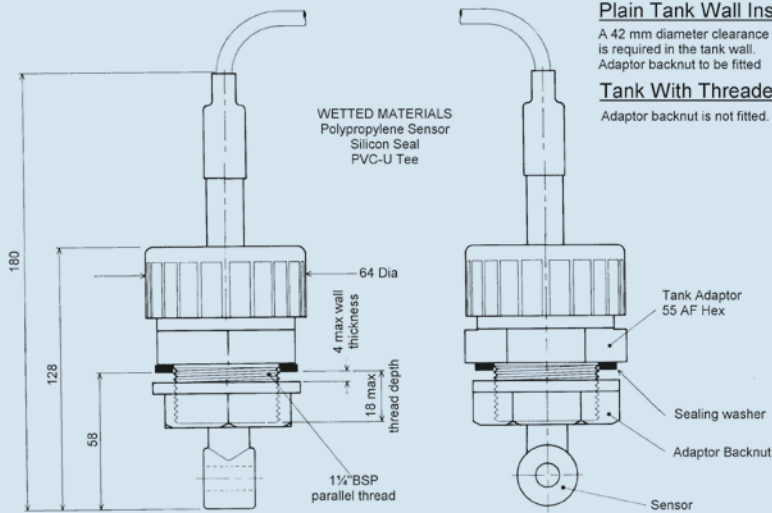
ECS22T



ECS24T



ECS27T



Installation Notes

Plain Tank Wall Installation

A 42 mm diameter clearance hole is required in the tank wall. Adaptor backnut to be fitted

Tank With Threaded Socket

Adaptor backnut is not fitted.

ECS20T sensor only

Operating temperature:

-5 to 60°C (not freezing)

Wetted material:

Glass filled Polypropylene

Temperature compensation:

PT1000

Cable:

Cable length up to 100 metres maximum (Dependent on instrument type), terminated with tag ends or C16 connector

Connection:

0.5" BSP male

Protection:

IP67

ECS22T dip assembly

Material:

PVC

Operating temperature:

-5 to 60°C (not freezing)

Dip length:

600, 1200 or 2000mm

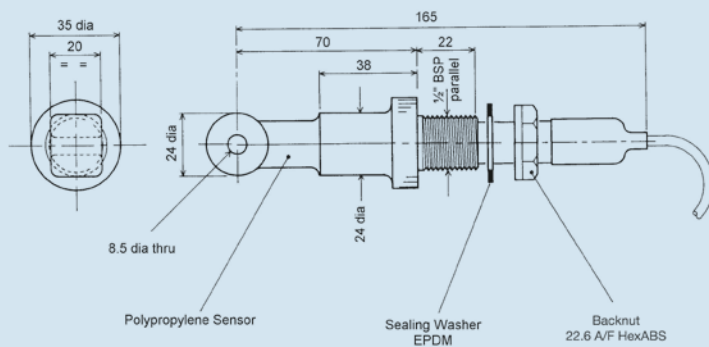
Mounting:

Bracket or flange options

Protection:

IP68

ECS20T



NOTE: 22.0 - 21.4 diameter hole required for fitting

ECS24T in line assembly

Material:

PVC with Viton seal.

Operating temperature:

-5 to 60°C (not freezing)

Size:

1.5" plain tee with 0.5" BSP option.

Operating pressure:

Vacuum to 6.5 bar (100 psi).

ECS27T tank mounting/insertion assembly

Material:

PVC with Viton seal.

Operating temperature:

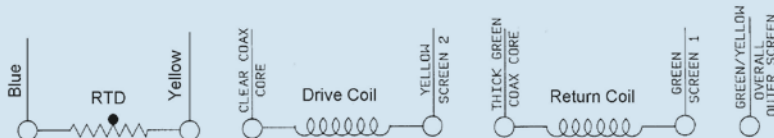
-5 to 60°C (not freezing)

Size:

1.25" BSP

Operating pressure:

Vacuum to 6.5 bar (100 psi).



ECS20 Series Electrodeless Conductivity Sensors

Temperatures Up to 60°C, manufactured from glass filled polypropylene, fitted with PT1000 temperature compensation

| Type | Stock No | Description |
|--------|----------|---|
| ECS20T | 8480 | Moulded electrodeless conductivity sensor, 5 metre cable. |
| ECS20T | 8492 | Moulded electrodeless conductivity sensor, 10 metre cable. |
| ECS22T | 8481 | 600 mm PVC dip assembly with ECS20T sensor. |
| ECS22T | 8484 | 600 mm PVC dip assembly with ECS20T sensor, 10 metre cable |
| ECS22T | 8493 | 600 mm PVC dip assembly with ECS20T sensor, 10 metre cable, Internal Viton O Ring seal. |
| ECS22T | 8482 | 1200 mm PVC dip assembly with ECS20T sensor. |
| ECS22T | 8485 | 1200 mm PVC dip assembly with ECS20T sensor, 10 metre cable |
| ECS22T | 8487 | 2000 mm PVC dip assembly with ECS20T sensor, 5 metre cable |
| ECS24T | 8489 | In-line 1.5" plain PVC tee assembly with ECS20T sensor |
| ECS24T | 8486 | In-line 1.5" plain PVC tee assembly with ECS20T sensor, 10 metre cable |
| ECS24T | 8494 | In-line 2" plain PVC tee assembly with ECS20T sensor, 5 metre cable |
| ECS24T | 8490 | As 8489 but with 0.5" BSP galvanised connections |
| ECS27T | 8491 | Insertion tank mounting 1.25" BSP PVC assembly with ECS20T sensor |
| 54H | 138/137 | Additional 54H cable for ECS/20 series non-standard lengths. (Price per metre) |

ECS20 Series Electrodeless Conductivity Sensors

Temperatures Up to 60°C, manufactured from Glass filled polypropylene, fitted with PT1000 temperature compensation fitted with C16 connectors for use with the HET63 wall mount transmitters

| Type | Stock No | Description |
|--------|----------|--|
| ECS20T | 8535 | Moulded Electrodeless conductivity sensor with 5 metre cable. |
| ECS22T | 8536 | 600 mm PVC dip assembly with ECS20T sensor, 5 metre cable |
| ECS22T | 8537 | 1200 mm PVC dip assembly with ECS20T sensor, 5 metre cable |
| ECS22T | 8549 | 2000 mm PVC dip assembly with ECS20T sensor, 5 metre cable |
| ECS24T | 8538 | In-line 1.5" plain PVC tee assembly with ECS20T sensor, 5 metre cable |
| ECS24T | 8539 | As 8489 but with 0.5" BSP galvanised connections |
| ECS27T | 8540 | Insertion tank mounting 1.25" BSP PVC assembly with ECS20T sensor |
| 54H | 138/137 | Additional 54H cable for ECS/20 series non-standard lengths. (Price per metre) |

ECS20 Series Sensor Mounting Accessories

Temperatures Up to 60°C, manufactured from Glass filled polypropylene, fitted with PT1000 temperature compensation fitted with C16 connectors for use with the HET63 wall mount transmitters

| Type | Stock No | Description |
|---------|----------|---|
| Adapter | 6081 | ECS22T PVC tank wall angled flange adapter. 0-60°C |
| Bracket | 1624 | ECS22T stainless steel mounting bracket. |
| Flange | 6082 | ECS22T 1" PVC adjustable flange. 0-60°C |
| Tee | 8489/001 | Replacement 1.5" PVC tee piece for 8489 and 8538 ECS/24T. |

