

Product Features

- *Low cost*
- *Continuous loop powered 4-20 mA operation*
- *Microprocessor Based*
- *Non-interactive zero and span calibration*
- *Calibration accomplished with 4 push buttons*
- *NEMA 4 rated aluminum housing*
- *Standard fitting 3/4" NPT*
- *Standard or custom probe lengths are available from 6 inches to 12 feet*

Description

The LTX05 level sensors are primarily designed for continuous liquid level measurement applications. The assembly consists of NEMA 4 aluminum flip-cover head which houses the electronics, stainless steel process connection, and PFA Teflon® coated stainless steel probe. LTX05 can withstand extremely corrosive materials. The rugged construction is gas-tight to pressures from vacuum to 34 bar (500 psi). LTX05 is low cost and intended for OEM applications.

LTX05's 2-wire level transmitters are highly reliable microprocessor-based sensors designed to measure tank levels of liquids or certain dry bulk media. LTX sensors measure the change in capacitance that occurs as the tank level changes, and outputs a standard loop-powered 4-20 mA signal. LTX sensors use very high frequency, very low amplitude sensing circuitry to greatly minimize the effects of coating on the sensing probe. Calibration, zero and span, is accomplished via four push-buttons on the transmitter.

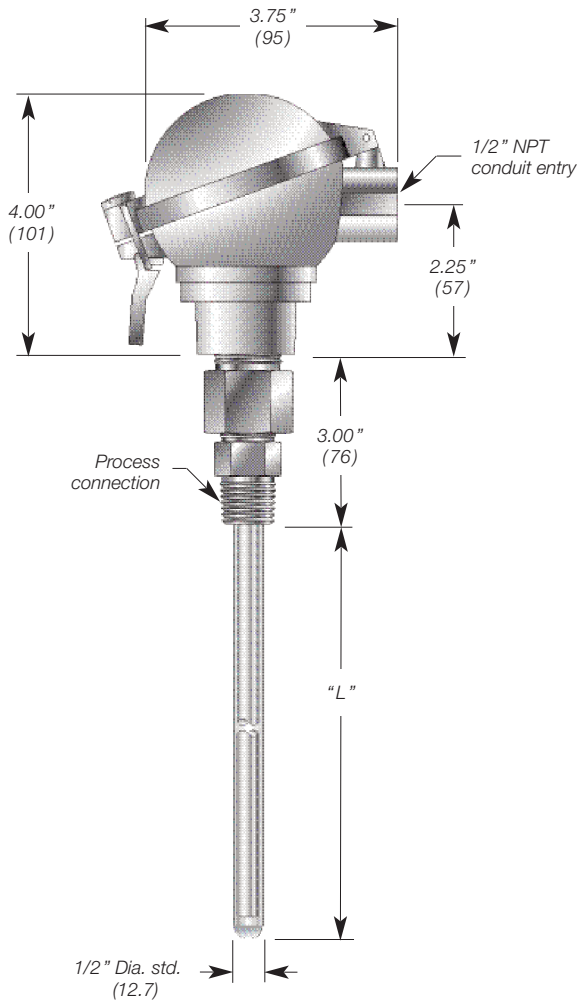
Application

- *Water and other conductive liquids in metal tanks*
- *Acids*
- *Water-based liquids*

Do Not Use With

- *Diesel fuels, Hydraulic oils, Vegetable oils*
- *MEK and other solvents*
- *Use LTX20 for fuels and oils*





Electrical Specifications

Supply Voltage :	12VDC - 30VDC
Output :	4-20mA, loop powered
Maximum Loop Res.:	$[V_s - 10] / 0.02$ (i.e. 700Ω @ 24VDC)
Calibration :	Via 4 push-button switches non-interactive settings
Capacitance Range :	10 pF to 10000 pF
Accuracy :	± 1% of full span (constant dielectric)
Repeatability :	± 0.1 % of span
Damping Adjust :	0-30 sec.
Ambient Temperature :	-40 to 70°C (-40 to 158°F)

Mechanical Specifications

Enclosures	AH2 : Aluminum, lift cover type, NEMA 4
Mounting Thread :	3/4" NPT standard, others available
Process Temperature:	Probe limited by jacketing material 200 °C (392 °F) max. for PFA coated probes
Pressure Limits:	
<i>(P Model only)</i>	100 psi (7 bar) @ 25 °C (77 °F)
<i>(PH Model only)</i>	500 psi (34 bar) @ 25 °C (77 °F)
	250 psi (17 bar) @ 150 °C (302 °F)
	14.5 psi (1 bar) @ 200 °C (392 °F)
Probe Mat'l :	PFA Teflon jacketed, 1/2" (12.7 mm) O.D.

Custom Builder

MODEL	1	2	3	4	5
LTX05	B3	AH2	----	A	----

BOX1 CODE	Electronic Module
B3	4-20mA, loop powered

BOX3 CODE	Fitting
P**	3/4" NPT male std.
PH**	3/4" NPT male std., High pressure

BOX4 CODE	Probe Material
A	Teflon jacketed solid probe

BOX2 CODE	Enclosure
AH2	Aluminum Flip-Cover, 1/2" NPT conduit

** Fitting
12 1/2" NPT
34 3/4" NPT
44 1" NPT

BOX5 CODE	Probe Length " L "
----	In inches (144" max.) Ex.: 065 = 65" long