

Cryogenic Lift Check Valve

Stainless Steel

DN6 - DN150 (1/4" - 6")

Parker Bestobell lift check valves feature bolted bonnet, integral seat and renewable PTFE seal, complete with bronze internals. The Stainless Steel body valves are available with flanged, Butt Weld and Socket Ends. The lift check valve is of a cone seat design for zero leak shut off.

The bolted bonnet allows for easy maintenance, even in confined spaces.

All valves are degreased for oxygen duty, assembled in clean room conditions and pressure tested prior to dispatch.



DN80 Stainless Steel Lift Check Valve with Socket Ends

Maximum Working Pressure (MWP)

Subject to end connections

Up to 50 bar (725 psi) at -196°C to +65°C

Features

- Unique Parker Bestobell loose flange bolted bonnet design allows for thermal expansion and contraction and eliminates leakage at the bonnet gasket
- Precision investment cast body – smooth surface finish
- PTFE seal to ensure tight shut off at all times
- Designed and engineered specifically for cryogenic service
- Full bore
- Fast/easy maintenance of PTFE components

Technical

- Designed and engineered for use with Group 1 gases.
 - Designed and manufactured in accordance with ASTM B31.1, BS EN 1626 and BS ISO 21011.
 - Optional full material traceability backed by BS EN 10204 3.1/3.2 certification.
- CE Marked according to the Pressure Equipment Directive.



DN40 Lift Check Valve with Butt Weld Ends



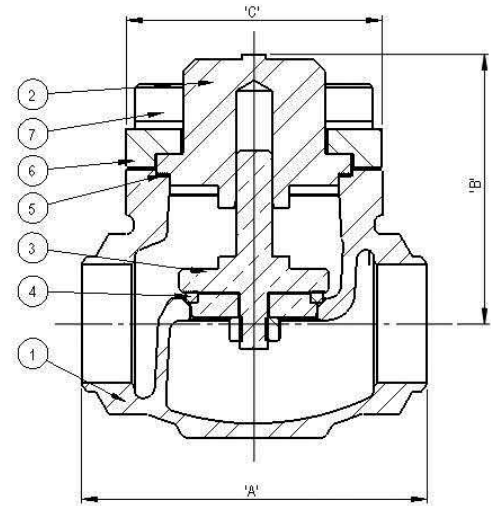
DN40 Lift Check Valve with Flanged Ends



DN40 Lift Check Valve with Socket Ends

Materials

	Stainless Steel
1. Body	Stainless Steel ASTM A351 CF8M
2. Cover	Stainless Steel BS EN 10088-3 1.4401
3. Disc	HT Brass BS EN 12164 CW721R
4. Seal	Virgin PTFE
5. Gasket Bonnet	Sigma 511
6. Bonnet Flange	Stainless Steel - ASTM A351 CF8M
7. Fasteners	Stainless Steel BS6105 A2/A4 Gr.70



Specifications

Butt Weld/Socket Weld Ends

Size	Unit	DN6 1/4"	DN10 3/8"	DN15 1/2"	DN20 3/4"	DN25 1"	DN40 1 1/2"	DN50 2"	DN65 2 1/2"	DN80 3"	DN100 4"	DN150 6"
A	mm	68	68	68	92	92	121	146	178	178	292	400
B	mm	51	51	51	60	71	84	107	145	145	193	260
C	mm	55	55	55	66	66	81	108	130	133	169	305
Cv	US GPM	3.6	3.6	3.6	13.2	13.2	26.5	43	68	98	174	400
Weight	kg	1	1	1	1.5	1.6	3.2	6.5	9	13.4	35	110
Opening Pressure	PSI	0.37	0.37	0.37	0.37	0.37	0.24	0.21	0.25	0.27	0.34	0.5

Flanged Ends (Class 300)

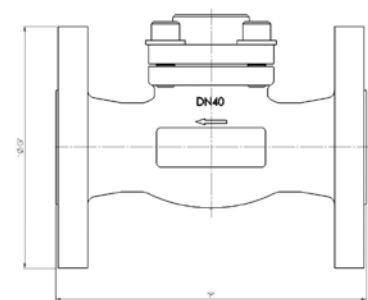
Size	Unit	DN15 1/2"	DN20 3/4"	DN25 1"	DN40 1 1/2"	DN50 2"	DN65 2 1/2"	DN80 3"	DN100 4"
F	mm	130	160	160	200	230	290	310	350
G	mm	95	124	124	155	165	191	210	254
Flange Thickness	mm	14	18	18	21	22	25	28	32
Weight	kg	2.2	4.5	4.5	8.6	13.5	19.5	27.4	53

Class 150 available on request
DN150 sizes are to Class 150 pressures only

How to Order

The correct part number is easily derived from the following number sequence

CGT	10	B1	B	0	C
Series	Valve Size Diameter Nominal (DN)	Connection Type	Bonnet	Option	Seat Type
CGT	10 DN6	B1 Butt Weld Schedule 10	B Bolted	0 Without Spring	C Cone
Cryogenic	20 DN10	SNE Socket Weld			
Lift Check	30 DN15	FA Flange Class 150			
Stainless Steel	40 DN20	FC Flange Class 300			
	50 DN25				
	70 DN40				
	80 DN50				
	90 DN65				
	A0 DN80				
	B0 DN100				
	D0 DN150				



Please contact us for other options.