

# Cryogenic Swing Check Valve

Stainless Steel  
 DN25 - DN80 (1" - 3")

A Stainless Steel swing check valve with a PTFE seal incorporated into the valve disc ensures a drop tight shut off at ambient temperatures and a leakage rate complying with EN1626 "Valves for Cryogenic Service" under cryogenic conditions.

A wide opening allows high flow rates at low-pressure drops.

The design incorporates a bolted bonnet and a unique easy assemble valve disc assembly.

All valves are degreased for oxygen duty, assembled in clean room conditions and pressure tested prior to dispatch.

## Maximum Working Pressure (MWP)

Subject to end connections

Up to 50 bar (725 psi) at -196°C to +65°C

## Features

- Designed and engineered specifically for cryogenic service
- Precision investment cast body – smooth surface finish
- Lapped seating face to ensure tight shut-off
- Offset centre of gravity of the disc assembly
- The disc hits the seat face squarely giving even wear across the seal
- Improved low differential pressure seating
- Very low leak rates achievable
- Unique Parker Bestobell cover to avoid incorrect assembly
- PTFE seal to ensure tight shut off



DN50 Stainless Steel Swing Check Valve with Butt Weld Ends

## Technical

- Designed and engineered for use with Group 1 gases.
  - Designed and manufactured in accordance with ASTM B31.1, BS EN 1626 and BS ISO 21011.
  - Optional full material traceability backed by BS EN 10204 3.1/3.2 certification.
- CE Marked according to the Pressure Equipment Directive.



DN25 Stainless Steel Swing Check Valve with Butt Weld Ends



DN50 Stainless Steel Swing Check Valve with Flanged Ends

## Materials

	<b>Stainless Steel</b>
1. Body	Stainless Steel ASTM A351 CF8M
2. Cover	Stainless Steel ASTM A351 CF8M
3. Disc	Stainless Steel BS EN 10088-3 1.4401
4. Seal	Virgin PTFE
5. Arm	Stainless Steel ASTM A351 CF8M
6. Fasteners	Stainless Steel BS6105 A2/A4 Gr.70
7. Gasket	Sigma 511

## Specifications

### Butt Weld Ends

Size	Unit	DN25	DN40	DN50	DN80
A	mm	92	121	146	260
B	mm	64	73	92	110
C	mm	70	110	125	155
Cv	US GPM	20	48	90	192
Weight	kg	2	3.8	5.9	15.2
Opening Pressure	psi	0.21	0.22	0.22	0.5

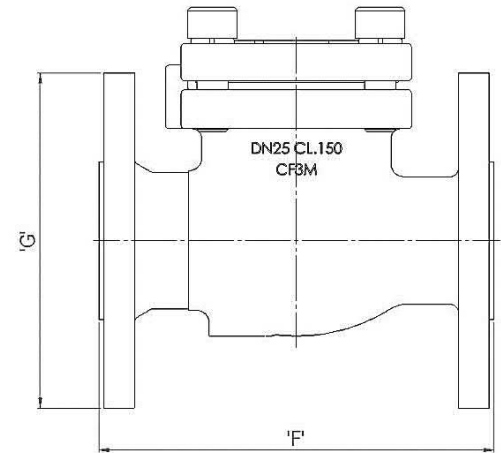
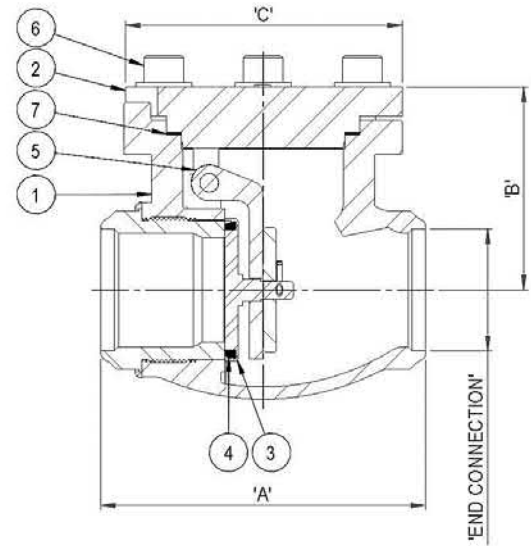
### Flanged Ends (Class 300)

Size	Unit	DN25 1"	DN50 2"	DN80 3"
F	mm	127	203	241
G	mm	108	152.4	190.5
Flange Thickness	mm	11	19	23.8
Weight	kg	3.3	10	20

## How to Order

Part Number	Valve Size Diameter Nominal (DN)	End Connection
CHC50UB100	DN25	Butt Weld Schedule 10
CHC50UFC00		Flange Class 300
CHC70UB100	DN40	Butt Weld Schedule 10
CHC80UB100	DN50	Butt Weld Schedule 10
CHC80UFC00		Flange Class 300
CHCA0UB100	DN80	Butt Weld Schedule 10
CHCA0UFC00		Flange Class 300

Please contact us for other options.



Non Return  
Check Valves