



Bestobell

Cryogenic Valves

Actuated St. Steel Globe Valve DN40 - DN80

DN40-DN80 (1 1/2" - 4")

Description

Stainless Steel actuated globe valve with bolted bonnet, integral seat and renewable PTFE/PCTFE disc, complete with bronze internals. Available with socket weld and butt weld ends, the valve is of the cone seat design for drop tight shut off. The bolted bonnet allows easy maintenance, even in confined spaces with lower bolting torques required than for an equivalent size union bonnet valve.

All valves are degreased for oxygen duty, assembled in clean room conditions and pressure tested prior to despatch.

Maximum Working Temperature

(Subject to End Connections)

Working temperature: -196°C / -321°F (77K) up to +65°C / +149°F (338K)

Only suitable for operation with media: O₂, N₂, Ar, CO₂, CH₄, He, CHF, Kr, Ne, He, H₂, C₂H₄, N₂O, SF₆, LPG, LNG.

Features

- Temperature range -196°C to +65°C
- Loose bolted bonnet design allows for thermal expansion and contraction and eliminates leakage at the bonnet gasket
- Anti-blow out stem for operator safety
- Actuator supplied to customer's specifications designed for marine applications
- Bolted bonnet allows for simple site maintenance, with easy access
- Disc profile engineered to enhance throttling flow characteristics



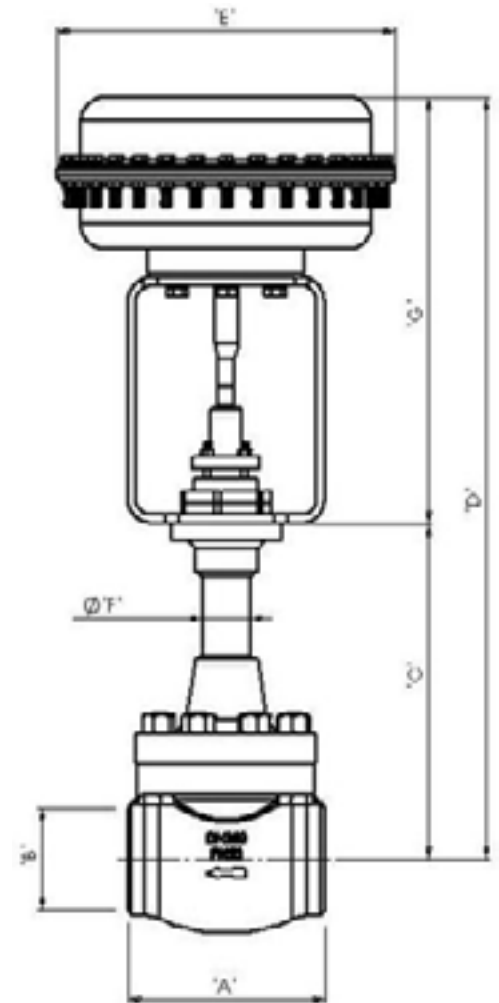


Actuated Stainless Steel Globe

DN40 - DN80 (1 1/2" - 4")

Materials

Body	ASTM A351 CF8M
Bonnet	ASTM A276 316
Tube, Extension	ASTM A312 TP 304L
Stem	ASTM A276 316
Disc	BSEN 12164 CW 721R
Bonnet Insert	BSEN 12163 CW 451K
Seal	PCTFE
Gasket Bonnet	SIGMA 511
Bonnet Flange	ASTM A351 CF8M
Gland Packing	PTFE
Fasteners	BS6105 A4 Gr.80



r.

Specifications

BESTOBELL
AQUATRONIX
SINCE / DEPUIS 1953

BEP-Bestobell
www.bestobell.com