

Super Heated Total Trap[®] Stations

Total Trap[®] Series Model

TT4

THERMODYNAMIC TOTAL TRAP[®] STATIONS

The Total Trap[®] 4 is a compact, thermodynamic style steam trap station for superheated steam applications designed to efficiently discharge condensate on applications with working pressures up to 2000 psig and temperatures up to 1000°F. The Total Trap[®] 4 comes complete with:

- One-piece, self-contained total steam trap station
- Disc trap with replaceable cartridge, disc and cap (easily replaced in the field without uninstalling the complete trap station)
- Strainer
- Blow-down & by-pass capabilities
- Integral isolation valves with ability to free-vent
- Installation requires only 2 welds and less than 14" of space end-to-end
- Optional size inlet and outlet hub ends material and sizes designed to meet customer piping applications
- Flush plug to flush disc trap and internal porting when desired



ORDERING SCHEMATIC

TT4-1	1" Cro-Moly female socket-weld ends (non-modular)
TT4-2	1-1/2" Cro-Moly female socket-weld ends (non-modular)
TT4-3	1" Grayloc-style FSW end connections (modular) - includes seal rings and clamp assemblies for easy removal and reinstallation as desired
TT4-4	1-1/2" Grayloc-style FSW end connections (modular) - includes seal rings and clamp assemblies for easy removal and reinstallation as desired

Note: optional size and material end connections available. Blowdown valve is 1/2" FNPT.

TT4 MODELS

THERMODYNAMIC TOTAL TRAP® STATIONS

SPECIFICATIONS

- Maximum operating pressure: 2000 psig (138 bar)
- Maximum differential pressure: 1800 psi (124 bar)
- Maximum operating temperature: 1000°F (538°C)
- Minimum differential pressure: 10 psig (0,69 bar)

MATERIALS

- Body: ASTM A240 S31609 Stainless Steel
- Disc Trap Cap: ASTM A479 316H Stainless Steel
- Strainer Cap: ASTM A479 316H Stainless Steel
- Strainer Screen: BS 970 Gr310 S31 Austenitic Stainless Steel
- Disc: BS 4659 Gr BD2 Chromium Steel
- Valves: ASTM A479 316H Stainless Steel with Grafoil packing
- Blowdown Valve: Stainless Steel with graphite packing sleeve
- Attached Hubs: ASTM A182 F91 Cro-Moly (other materials available)
- Disc Trap Cartridge Seal Rings: ASME SA479 316/316L Stainless Steel
- Disc Trap Cap & Strainer Gasket: Flexitallic spiral wound with Grafoil filler and 316L Stainless Steel reinforcement

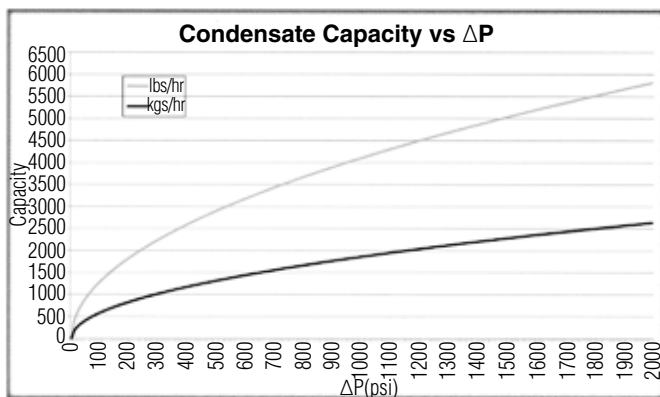
APPLICABLE CODES & STANDARDS

Designed and manufactured in accordance with ASME B31.1 and B16.34

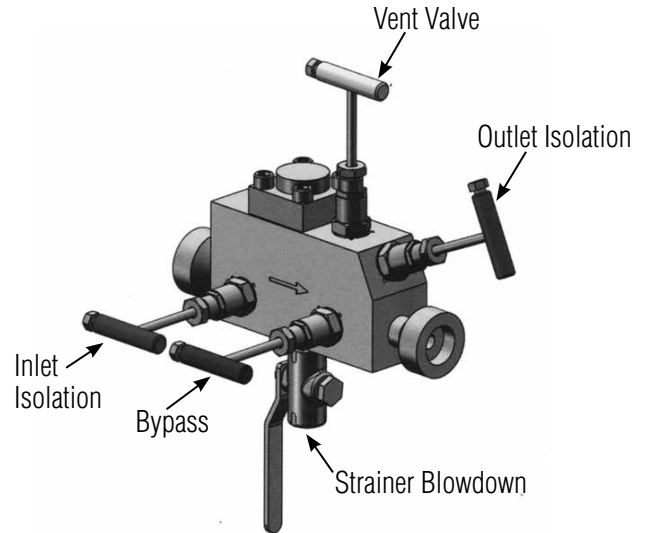
RECOMMENDED INSTALLATION

For proper operation, may only be installed in a horizontal orientation with disc trap cap upward (on top)

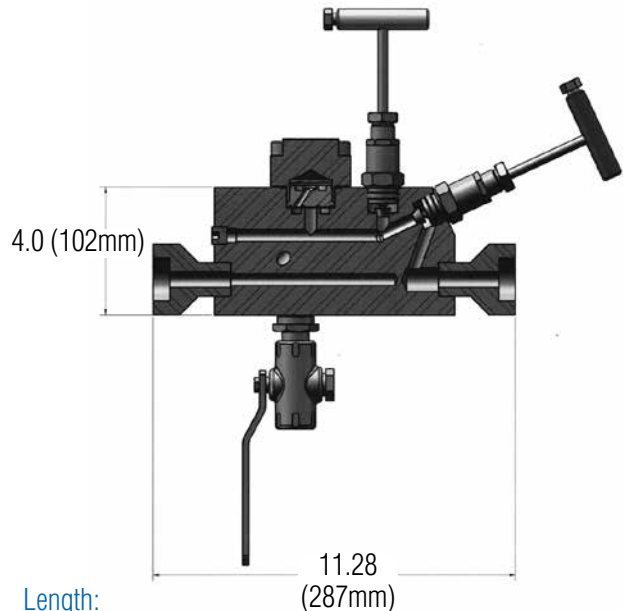
CAPACITY CHART



FEATURES



DIMENSIONS



Length:

- TT4-1: 11.28" (287mm)
- TT4-2: 12.125" (308mm)
- TT4-3: 14.625" (371mm)
- TT4-4: 15" (381mm)

Width: 11" (280mm) (including valves)

Height: 10" (254mm) (including valves)

Weight: 30 lbs (14 kgs)