

Total Trap[®] Stations

Total Trap[®] Series Model

TT3HP (Total Trap 3 High Pressure)

THERMODYNAMIC TOTAL TRAP[®] STATIONS

The Total Trap[®] 3 High Pressure series is a line of compact, thermodynamic style steam trap stations for saturated steam applications designed to efficiently discharge condensate on applications with working pressures up to 900 psig and temperature up to 800°F. The Total Trap[®] 3HP comes complete with:

- One-piece, self-contained total steam trap station
- Disc trap with replaceable cartridge, disc and cap (easily replaced in the field without uninstalling the complete trap station)
- Strainer
- Blow-down & by-pass capabilities
- Integral isolation valves with ability to free-vent
- Installation requires only 2 welds and less than 14" of space end-to-end
- Optional size and style inlet and outlet hub ends material and sizes designed to meet customer piping application
- Flush plug to flush disc trap and internal porting when desired



ORDERING SCHEMATIC

TT3HP-1	1" Grayloc-style butt-weld end connections (modular) - includes seal rings and clamp assemblies for easy removal and reinstallation as desired
TT3HP-2	1" Grayloc-style female socket-weld end connections (modular) - includes seal rings and clamp assemblies for easy removal and reinstallation as desired
TT3HP-3	1/2" FNPT hubends
TT3HP-4	3/4" FNPT hub ends
TT3HP-5	1" FNPT hub ends

Note: size and material end connections available. Blowdown valve is 1/2" FNPT.



BESTOBELLSTEAM
 A Division of
 Richards Industries
 BEP Bestobell Ltd.
 2880 Argentia Rd.,
 Unit 3, Mississauga,
 ON, L5N 7X8
 toll free. 800.668.3979
 local. 905.826.1953
 fax. 905.826.1778
salesdesk@bestobell.com
www.bestobell.com

THERMODYNAMIC TOTAL TRAP® STATIONS

SPECIFICATIONS

Maximum operating pressure: 900 psig (62,1 bar)

Minimum differential pressure: 10 psig (0,69 bar)

Maximum operating temperature: 800°F (427°C)

MATERIALS

Body: ASTM A240 316 Stainless Steel

Disc Trap Cap: ASTM A479 316H Stainless Steel

Strainer Cap: ASME SA479 316L Stainless Steel

Strainer Screen: BS 970 Gr 310 S31 Austenitic Stainless Steel

Disc: ASTM A582 420F Stainless Steel

Valves: ASTM A582 303 Stainless Steel

Blowdown Valve: Stainless Steel with graphite packing sleeve

Attached Hubs: ASME SA479 316L Stainless Steel (other materials available)

Disc Trap Cartridge Seal Rings: ASME SA479 316/316L Stainless Steel

Disc Trap Cap & Strainer Gasket: Flexitallic spiral wound with Grafoil filler and 316L Stainless Steel reinforcement

APPLICABLE CODES & STANDARDS

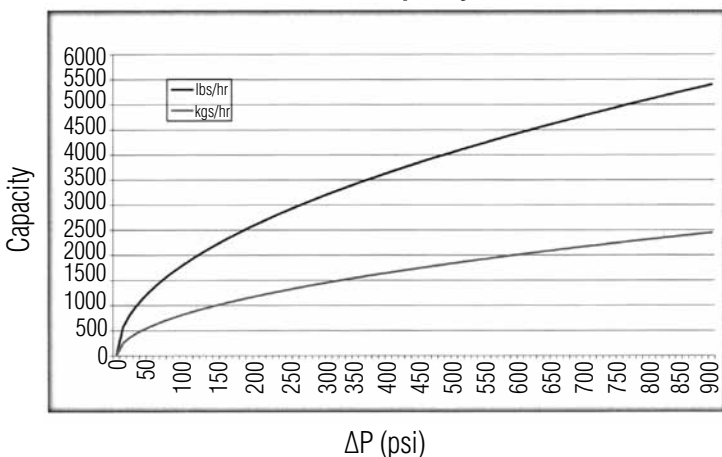
Designed and manufactured in accordance with ASME B31.1 and B16.34

RECOMMENDED INSTALLATION

For proper operation, may only be installed in a horizontal orientation with disc trap cap upward (on top)

CAPACITY CHART

Condensate Capacity vs ΔP



DIMENSIONS

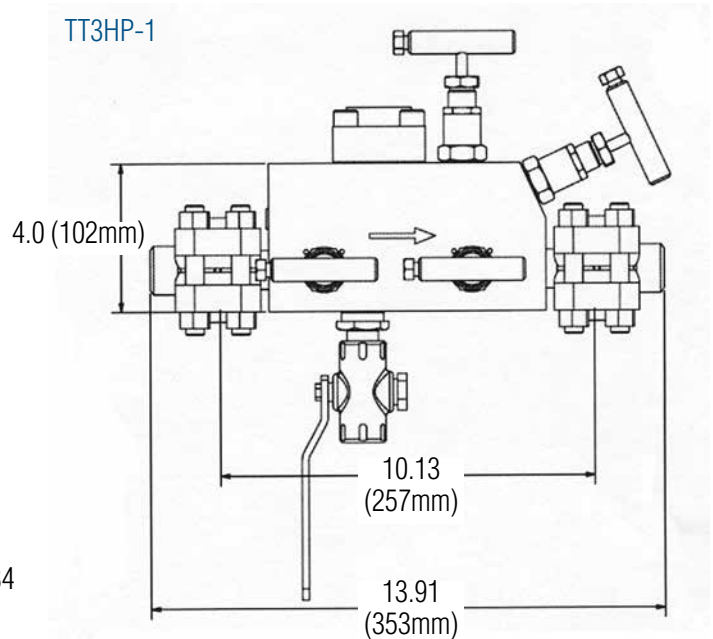
Length: See dimensional diagrams

Width: 11" (280mm) (including valves)

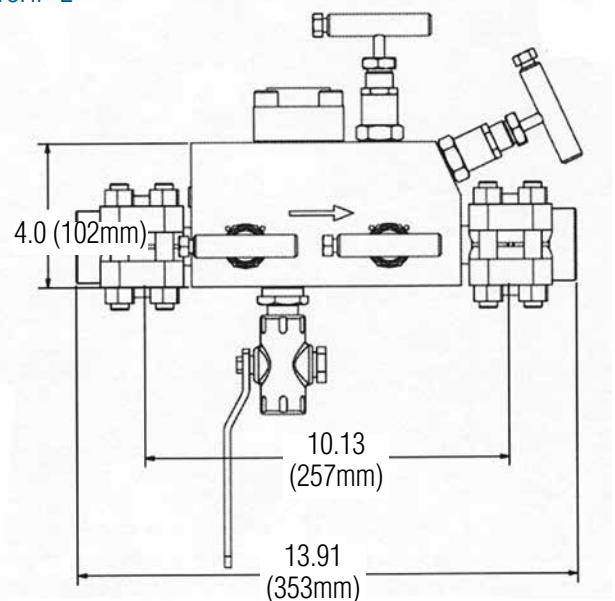
Height: 10" (254mm) (including valves)

Weight: 30 lbs (14 kgs)

TT3HP-1



TT3HP-2



THERMODYNAMIC TOTAL TRAP® STATIONS

DIMENSIONS

TT3HP-3, 4, 5

