

# Disc Traps

## Model: DTCS

### THERMODYNAMIC DISC TRAP WITH TRI-CLAMP CONNECTIONS

Bestobell's DTCS Series is a 316L Stainless Steel thermodynamic disc trap, that is compact with a lightweight design and tri-clamp® end connections.

This clean steam trap, constructed of 316L stainless steel which offers better corrosion resistance for non-sanitary applications than other thermodynamic traps. It meets the requirements of quick response applications in the steam system. Condensate entry below the disc, concentric to the disc/seat ensures a clean parallel lift of the disc with reference to the seat, eliminating localized wear and tear.

The DTCS is ideal for fluctuating loads and pressures. It is virtually maintenance free with a one year replacement warranty.



### ORDERING SCHEMATIC

MODEL				6	7	8
D	T	C	S			

6	SIZE
2	1/2"
3	3/4"

7	CONNECTIONS
1	Tri-Clamp®

8	SPECIALS
0	None
4	20 Ra Exterior Finish

**THERMODYNAMIC DISC TRAP WITH TRI-CLAMP CONNECTIONS**
**SPECIFICATIONS**

Maximum Pressure Allowable: 227 psig (15,6 bar)

Maximum Operating Pressure: 227 psi (15,6 bar)

Maximum Temperature Allowable: 842°F (450°C)

Line Sizes: 1/2", 3/4"

End Connections: Tri-Clamp®

Options: 20 Ra external finish

Weight: 1.7 lbs (0.77 kgs)

Maximum operating back pressure at the outlet should not exceed 80% of the inlet.

Minimum differential pressure for satisfactory operation 3.5 psi (0,24 bar)

**MATERIALS**

Body: AISI 316L

Disc Cap: AISI 316L

Disc: AISI 316L

**INSTALLATION**

The DTCS should be installed in the horizontal plane with the cap on top. Full port isolation valves should be installed upstream and downstream of the trap for safe maintenance. Always open isolation valves slowly until normal operating conditions are achieved to avoid system shocks.

**PREVENTATIVE MAINTENANCE**

The DTCS can be maintained without disturbing the piping connections. Ensure that the trap is isolated - upstream and downstream - before attempting to dismantle it. Allow the trap to cool before dismantling. Periodic cleaning of the disc and seat will facilitate trouble-free performance. Do not use abrasives / corrosive media for cleaning. Only the disc and seat are subject to wear. A worn disc can be replaced and slight seat wear can be corrected by resurfacing on a lap plate.

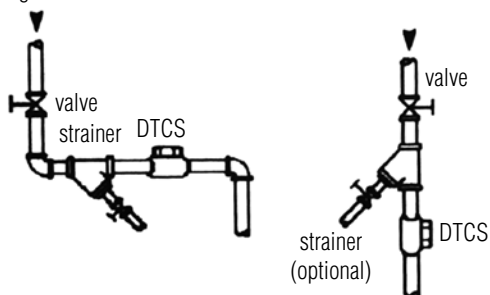
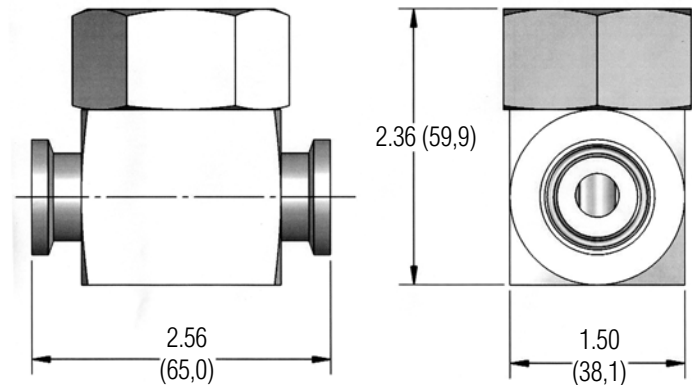
For new installations, the system should be properly flushed prior to fitting the trap.

**PRESSURE RATINGS**

ΔP Capacity	bar psi kg/hr pph	1	2	3	4	5	6	7	8	9	10	11	12	13	14	15	16
		14	29	43	58	72	87	101	116	130	145	159	174	188	203	217	232
125	200	260	300	340	380	410	440	460	480	500	510	515	520	520	520		
275	440	572	660	748	836	902	968	1012	1056	1100	1122	1133	1144	1144	1144		

**RECOMMENDED INSTALLATION**

From equipment  
being drained


**DIMENSIONS**


**BESTOBELL**  
**AQUATRONIX**  
SINCE/DEPUIS 1953

Head Office  
2880 Argenta Road, Unit 3  
Mississauga, ON L5N 7X8  
salesdesk@bestobell.com  
1-800-668-3979  
www.bestobell.com

Since 1953, Quality Products to Sense, Measure & Control  
Depuis 1953, Produits De Qualités Pour Détecter, Mesurer & Contrôler

Montréal Office  
970 Montée de Liesse, #204  
St.Laurent, QC H4T 1W7  
ventes@bestobell.com  
1-877-331-1225

Atlantic Office  
166 North Side Road  
Riverport, NS B0J 2W0  
dmossman@bestobell.com  
902-529-0355