

# Delta Element Steam Traps

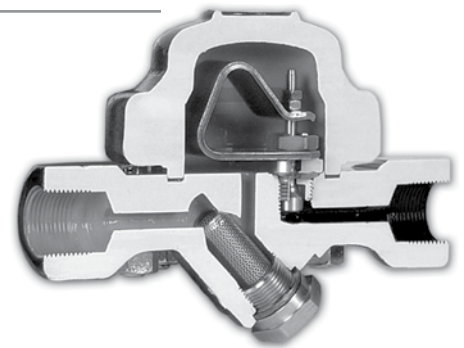
Models: DM40, DM100, DM320, DM64, DM160, D100F

CRN: Canadian Registration Number Available

## FOR HIGH PRESSURE DRIPLEG PROCESS SERVICES

An excellent choice for high pressure applications, these rugged steam traps provide fast start-up and high performance on steam main driplegs and pressure process applications.

- **Maximum differential pressure** - 450 psi (31,0 bar) to 2000 psi (137,9 bar)
- **Single blade element** – offers long-term, trouble-free service because it's not prone to dirt build-up as encountered with many other bimetal designs
- **Stainless Steel internals** – leads to longer service life since materials are highly resistant to fatigue and corrosion
- **Easy maintenance** – traps are inline repairable when isolated from live steam system can be up and running again in minutes
- **Modulating discharge** – automatically adjusts to operating pressure and load
- **Continuous air and CO2 venting** – maximizes heat transfer while minimizing corrosion



## ORDERING SCHEMATIC

MODEL					6	7	8
D	M	0	4	0			

MODEL					6	7	8
D	M	0	6	4			

MODEL					6	7	8
D	M	1	0	0			

MODEL					6	7	8
D	M	1	6	0			

MODEL					6	7	8
D	M	3	2	0			

6	SIZE
2	1/2" (All)
3	3/4" (All)
4	1" (All)

7	CONNECTIONS
1	NPT (All)
2	FSW (All)
5	600# Flange (All)
6	900# Flange (All but DM40)
7	1500# Flange (DM100, 160, 320)
A	2500# Flange (DM160 & DM320)
8	BSPT (All)
9	BSPP (All)
B	Buttweld (All)

8	SPECIALITIES
0	None
1*	DTC
3*	Integral Blowdown

\* Not available for models DM160 and DM320

**FOR HIGH PRESSURE DRIPLEG PROCESS SERVICES**
**SPECIFICATIONS**

Line Sizes: 1/2", 3/4", 1"

**End Connections:**

All Sizes: NPT, BSPT, BSPP, SW, Raised Face Flanges ANSI 600#  
 DM64 & DM100: Raised Face Flanges ANSI 900#  
 DM100: Raised Face Flanges ANSI 1500#

**MATERIALS**

**Body & Cover:** Forged Carbon Steel A105 standard – DM100 available in Chrome Moly F22 (designated by D100F model #)

**Valve Seat & Stem:**

DM40, DM64 & DM100: 17/4 Stainless Steel / Special coating

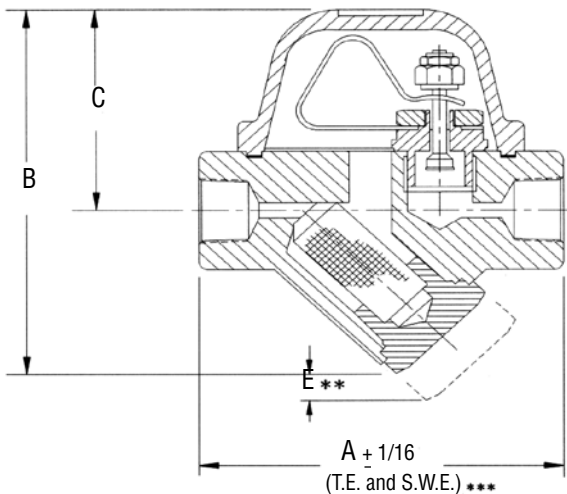
**Bi-Metal:** NiCr / Invar

**Strainer:** 304 Stainless Steel

**Nuts & Bolts:**

DM40: Forged Steel B7  
 DM64: Forged Steel B7  
 DM100: Forged Steel B7

**Gasket:** Flexible Graphite

**DIMENSIONS – DM40**


Model DM40						
1/2"-3/4"	A	B	C	D	E	Wt
inches	4.00	6.00	3.625	4.00	2.625	8.4 lbs
mm	102	152	92	102	67	3.8 kgs
1"	A	B	C	D	E	Wt
inches	5.00	6.75	3.625	4.00	3.25	9.9 lbs
mm	127	171	92	102	83	4,5 kgs

**SPECIFICATIONS**

**Maximum Differential Pressure:**

Model DM40: 450 psi (31 bar)  
 Model DM64: 600 psi (41,4 bar)  
 Model DM100: 900 psi (62 bar)

**Maximum Allowable Pressure:**

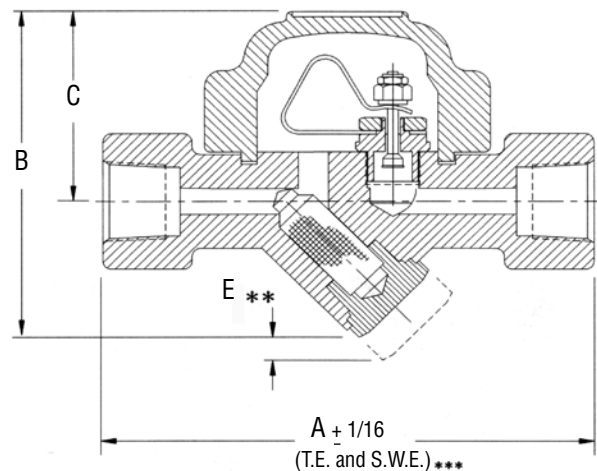
Model DM40: 750 psig (51,7 bar)  
 Model DM64: 1500 psig (103,4 bar)  
 Model DM100: 1500 psig (103,4 bar)

**Maximum Allowable Temperature:**

Model DM40: 750°F (399°C)  
 Model DM64: 750°F (399°C)  
 Model DM100: 750°F (399°C) Carbon Steel body  
 Model D100F: 1000°F (538°C) Chrome Moly body

**Options:** Double Threaded Strainer Cap (DTC) for blow-down, Double Threaded Strainer Cap (DTC) for blowdown valve attachment; selection of integral blowdown valves

**Mounting:** From horizontal to vertical (see Installation & Maintenance Instructions). Self-draining and freeze-resistant when mounted in vertical position.

**DIMENSIONS – DM64 & DM100**


Model DM64 & DM100						
1/2",3/4",1"	A	B	C	D	E	Wt
inches	8.62	5.79	3.71	5.34	2.63	17.2 lbs
mm	219	147	94	136	67	7,8 kgs

Note: dimension D is overall width; \*\* dimension E is withdrawal distance for strainer

# DM160 DM320 SERIES

## DELTA ELEMENT STEAM TRAPS

### FOR HIGHER PRESSURE DRIPLEG PROCESS SERVICES

#### SPECIFICATIONS

Line Sizes: 1/2", 3/4", 1"

#### End Connections:

NPT, BSPT, BSPP, SW, BW, Raised Face Flanges ANSI 1500#, ANSI 2500 or DIN

#### MATERIALS

Body & Cover: Forged Chrome Moly F22

Valve Seat & Stem: 17/4 Stainless Steel / Special coating

Bi-Metal: NiCr / Invar

Nuts & Bolts: Forged Steel B16

Gasket: Flexible Graphite

#### SPECIFICATIONS

#### Maximum Differential Pressure:

Model DM160: 1500 psi (103,4 bar)

Model DM320: 2000 psi (137,9 bar)

#### Maximum Allowable Pressure:

Model DM160: 2400 psig (165,5 bar)

Model DM320: 2400 psig (165,5 bar)

#### Maximum Allowable Temperature:

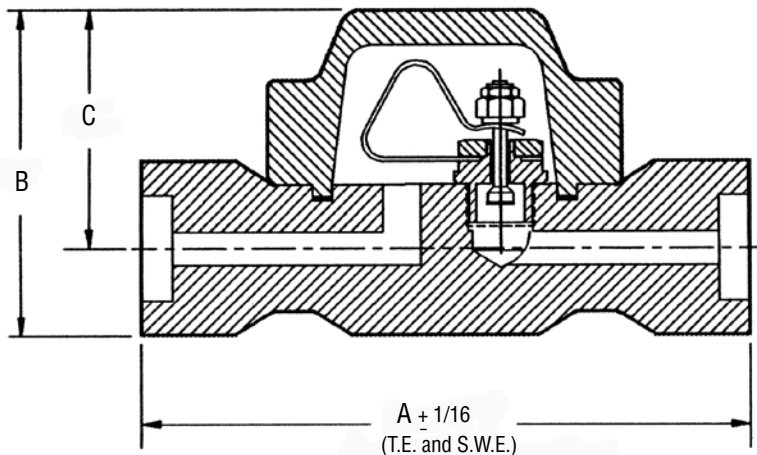
Model DM160: 1000°F (538°C)

Model DM320: 1000°F (538°C)

**Options:** Double Threaded Strainer Cap (DTC) for blowdown, Double Threaded Strainer Cap (DTC) for blowdown valve attachment; selection of integral blowdown valves

**Mounting:** From horizontal to vertical (see Installation & Maintenance Instructions). Self-draining and freeze-resistant when mounted in vertical position.

#### DIMENSIONS – DM160 & DM320



Model DM160 & DM320					
1/2", 3/4", 1"	A	B	C	D	Wt
inches	10.25	5.375	4.125	7.50	48 lbs
mm	260	137	105	191	22 kgs

Note: dimension D is overall width; dimensions shown are for threaded or socketweld ends. Contact factory for other dimensions.

**FOR HIGH PRESSURE DRIPLEG PROCESS SERVICES**
**CAPACITY CHARTS: CONDENSATE CAPACITY  
AT OPERATING PRESSURE**

Model DM40		Consider M25 in this range				
Size	Operating Pressure, psi (bar)	250 (17,2)	300 (20,7)	350 (24,1)	400 (27,6)	450 (31,0)
1/2" & 3/4"	Cold start-up, lbs/hr	4500	5500	6500	7000	7500
	Hot (Dripleg), lbs/hr	500	700	750	850	950
	Cold start-up, Kg/hr	2041	2495	2948	3175	3402
	Hot (Dripleg), Kg/hr	227	318	340	386	431
1"	Cold start-up, lbs/hr	7500	9000	11000	12000	12500
	Hot (Dripleg), lbs/hr	800	1000	1200	1300	1300
	Cold start-up, Kg/hr	3402	4082	4990	5443	5670
	Hot (Dripleg), Kg/hr	363	454	544	590	590

Model DM64					
Size	Operating Pressure, psi (bar)	350 (24,12)	450 (31,0)	500 (34,5)	600 (41,4)
1/2", 3/4" & 1"	Cold start-up, lbs/hr	4000	5000	5250	5500
	Hot (Dripleg), lbs/hr	500	600	650	700
	Cold start-up, Kg/hr	1814	2268	2381	2495
	Hot (Dripleg), Kg/hr	227	272	295	316
Model DM100					
Size	Operating Pressure, psi (bar)	450 (31,0)	600 (41,4)	550 (51,7)	900 (62,0)
1/2", 3/4" & 1"	Cold start-up, lbs/hr	4500	5500	6100	6300
	Hot (Dripleg), lbs/hr	550	700	750	770
	Cold start-up, Kg/hr	2041	2495	2767	2858
	Hot (Dripleg), Kg/hr	250	318	340	340
Model DM160		Consider DM100 in this range			
Size	Operating Pressure, psi (bar)	900 (62,1)	1100 (75,9)	1300 (89,7)	1500 (103,5)
1/2", 3/4" & 1"	Cold start-up, lbs/hr	2000	3000	4000	4500
	Hot (Dripleg), lbs/hr	400	550	700	750
	Cold start-up, Kg/hr	907	1361	1814	2041
	Hot (Dripleg), Kg/hr	161	250	318	340
Model DM320		Consider DM160 in this range			
Size	Operating Pressure, psi (bar)	1200 (82,8)	1500 (103,5)	1750 (120,7)	2000 (137,9)
1/2", 3/4" & 1"	Cold start-up, lbs/hr	3500	4500	6000	7000
	Hot (Dripleg), lbs/hr	600	750	900	1000
	Cold start-up, Kg/hr	1588	2041	2722	3175
	Hot (Dripleg), Kg/hr	262	340	408	454

1 year parts & labor warranty available - consult factory for details