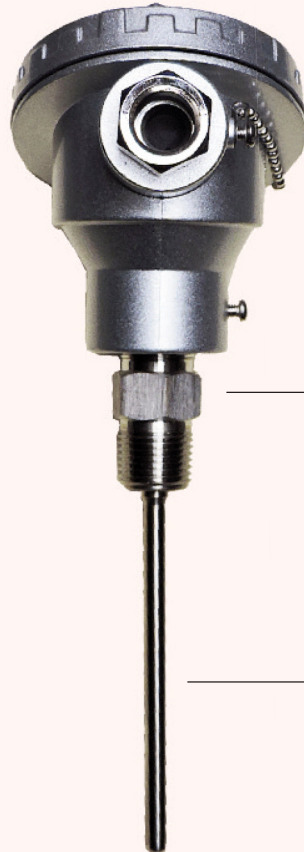


R50A Model

Industrial Direct Immersion RTD Assembly
With Optional Analog Output



Enclosure

Aluminum Die Cast Screw Cover
1/2" NPT Conduit with Integral Cable Gland
Environmental Rating Type4 / IP65

Process Fitting

Solid HEX Nipple 1/2 NPTM
Stainless Steel 316/316L
Maximum Working Pressure 1000 PSI

Probe Properties

1/4 inch Diameter
Stainless Steel 316/316L
Standard 3 wire configuration
100 Ω @ 0°C, $\alpha=0.00385$
DIN EN 60751
Class A
Extended Temperature Range:
-70/260 °C (-90/500 °F)

Description

Intempco's R50A Series RTD assemblies are built for direct immersion into processes for applications that do not require a thermowell. The probe tube is precision tig welded directly to the process fitting. If a thermowell is required, refer to one of our spring loaded models such as the R55A or R55 made specifically for thermowell assemblies.

The R50A series offers standard features which simplifies the selection process. The new Product Wizard found on our web site allows for a point and click type approach to build the model. This simple selection method saves time and they are offered at a lower cost due to their standardized construction.

If you are looking for a basic direct immersion RTD, look no further. This model has the most popular features built-in

Head Mounted Options

- RTD wired to terminal block
- RTD with single leads, no terminal block
- Head Mounted Transmitter
- 4-20mA or Voltage output
- Fixed Range or Programmable
- Standard or Isolated
- Available HART



RT820 & RT810
Hockey Puck Transmitters



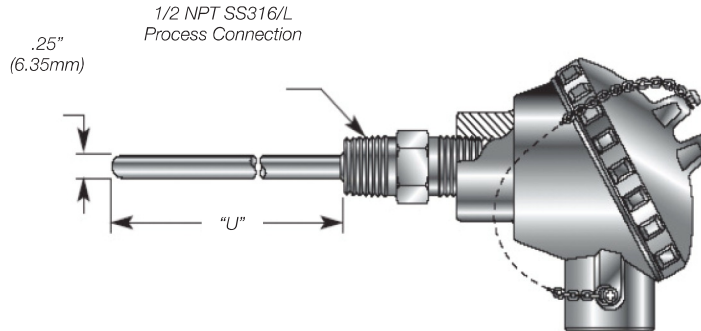
RT721
Hockey Puck
Transmitters



MP300i
Transmitters

R50A Model

Industrial Direct Immersion RTD Assembly
With Optional Analog Output



Custom Builder

MODEL 1 2 3

R50A - - **AC2** -

BOX1 CODE	Head Mounted Options.	Description
S3	Terminal Block	Pre-wired with 3 position Terminal Block
SL	Single Leads	No Terminal Block, 4" teflon leads
TA	RT810 Transmitter	4-20mA, 2 wire, non-isolated, fixed range, Zero/Span adjust
TB	RT820 Transmitter	4-20mA, 2 wire, non-isolated, reprogrammable range
VA	RT721 Transmitter	0/5 Vdc, 3-wire, non-isolated, reprogrammable range
VB	RT721 Transmitter	1/5 Vdc, 3-wire, non-isolated, reprogrammable range
VD	RT721 Transmitter	0/10 Vdc, 3-wire, non-isolated, reprogrammable range
TD	MP300i transmitter	4-20mA, 2 wire, Isolated, reprogrammable range
TE	MP300Hi transmitter	4-20mA, 2 wire, Isolated, reprogrammable range, with HART

BOX2 CODE	Head /Termination
AC2*	Aluminum die cast screw cover with integral Cable Gland, meets Type 4/ IP65

*Cable gland can be removed leaving 1/2" NPTF conduit

BOX 3 CODE	Probe Immersion Length "U"
---	In 0.1" increments Ex.: 060 = 6.0" long

For transmitters only, specify temperature range at the end of part number.

Ex.: RA50-TA-AC2-040, (0/100°C)

Model RT810 Head Mounted transmitter, range 0/100°C

Rev. A-20150525

BESTOBELL
AQUATRONIX
SINCE/DEPUIS 1953

Head Office
2880 Argenta Road, Unit 3
Mississauga, ON L5N 7X8
salesdesk@bestobell.com
1-800-668-3979
www.bestobell.com

Montréal Office
970 Montée de Liesse, #204
St.Laurent, QC H4T 1W7
ventes@bestobell.com
1-877-331-1225

Atlantic Office
166 North Side Road
Riverport, NS B0J 2W0
dmossmann@bestobell.com
902-529-0355

Since 1953, Quality Products to Sense, Measure & Control
Depuis 1953, Produits De Qualités Pour Détecter, Mesurer & Contrôler