



Hydrogen Sulfide Sensor

Toll Free: 888-367-4286
Phone: 281-367-4100
Fax: 281-292-2860

Internet: <http://www.detcon.com>
e-mail: sales@detcon.com

Solid State MOS

Model TP-624C

(order by part number 966-014520-100)



SPECIFICATIONS

Sensor Type

Solid State Metal Oxide Semiconductor

Measurement Range

0-20 ppm, 0-50 ppm, 0-100 ppm
Hydrogen Sulfide

Accuracy/Repeatability

±5% full scale

Response/Clearing Time

T50 <45 seconds
T80 <90 seconds

Operating Temperature Range

-40°F to +167°F; -40°C to +75°C

Operating Humidity Range

15-95% RH non-condensing

Outputs

Linear 4-20 mA DC
RS-485 Modbus™
3 Relays (alarm 1, alarm 2, & fault)
Contacts rated 5 amps

Input Voltage

22.5-28 VDC

Power Consumption

<3 watts @ 24 VDC

Electrical Classification

Explosion proof
Class I, Division 1, Groups B, C, D

Safety Approvals

CSA/NRTL (US OSHA Certified)

Sensor Life/Warranty

Sensor: 10 year conditional warranty
Transmitter: 2 year warranty

Shipping Weight

6 lbs.

Packing Dimensions

12" x 12" x 9"

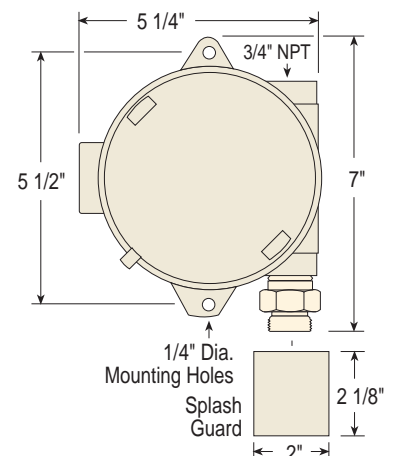
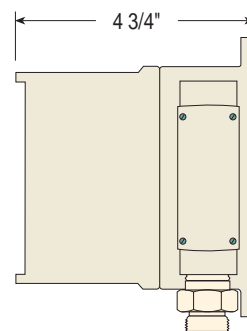
MicroSafe™ Intelligent Sensor

“RS-485 Addressable”

DESCRIPTION

Detcon Model TP-624C, Hydrogen Sulfide sensors are non-intrusive “Smart” sensors designed to detect and monitor H₂S in air over the range of 0-100 ppm. The sensor assembly consists of a proprietary solid state semiconductor sensor in a stainless steel housing, a plug-in control transmitter circuit, a base connector board and an explosion proof enclosure.

- ☞ CSA-NRTL Approved: Class I, Division 1, Groups B, C, & D
- ☞ Compatible with PLCs, SCADA, DCS, or a variety of host controllers via 4-20 mA, and/or RS-485, and/or alarm relays
- ☞ Sensor status and parameters accessible via RS-485 (Modbus™)
- ☞ Menu programmable relays standard (two alarms plus fault)
- ☞ Simple menu driven calibration - takes less than 3 minutes
- ☞ Backlit LCD and LED indicators for FAULT and CAL status
- ☞ Plug-in field-replaceable transmitter and sensor
- ☞ Response Characteristics equal to that of electrochemical sensors
T-50 <45 sec., T-80 < 90 sec.
- ☞ VERY wide operating temperature range: -40°F to +175°F
- ☞ 10 year conditional sensor warranty
- ☞ Direct response constant temperature control
- ☞ Withstands exposure to high range concentrations of H₂S and other acid gases
- ☞ Impervious to high moisture environments in both powered and non-powered mode



DIMENSIONS