



Combustible Hydrocarbon Sensor

Toll Free: 888-367-4286
Phone: 281-367-4100
Fax: 281-292-2860

Internet: <http://www.detcon.com>
e-mail: sales@detcon.com

Non-dispersive Infrared Optical

Model IR-622

(order by part number 966-224520-100)

SPECIFICATIONS

Sensor Type

Non-dispersive Infrared Optical (NDIR)

Measurement Range

0-100% (lower explosive limit) LEL

Accuracy/Repeatability

±3% full scale 0-50% LEL
±5% full scale 50-100% LEL

Response/Clearing Time

T50 <10 seconds
T90 <30 seconds

Zero Drift

<5% per year

Operating Temperature Range

-40°F to +167°F; -40°C to +75°C

Operating Humidity Range

0-99% RH non-condensing

Outputs

Linear 4-20 mA DC
RS-485 Modbus™
3 Relays (alarm 1, alarm 2, & fault)
Contacts rated 5 amps

Input Voltage

22.5-28 VDC

Power Consumption

<3 watts @ 24 VDC

Electrical Classification

Explosion proof
Class I, Division 1, Groups B, C, D

Safety Approvals

CSA/NRTL (US OSHA Certified)

Sensor Life/Warranty

Sensor: 5 year warranty pro-rated
Transmitter: 2 year warranty

Shipping Weight

6 lbs.

Packing Dimensions

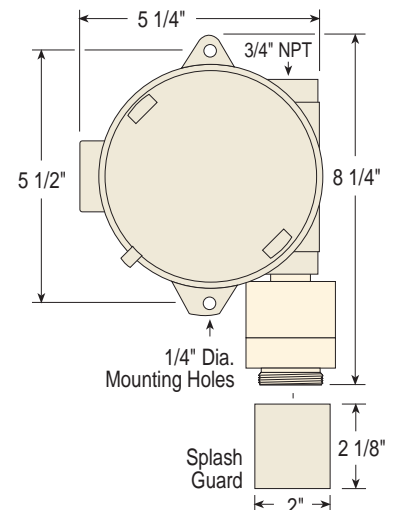
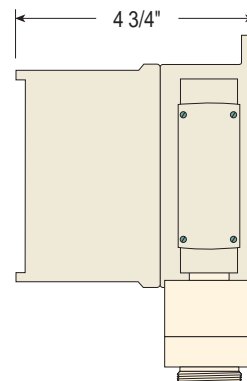
12" x 12" x 9"

MicroSafe™ Intelligent Sensor "RS-485 Addressable"

DESCRIPTION

Detcon Model IR-622 sensors are non-intrusive "Smart" sensors designed to detect and monitor Combustible Hydrocarbons over the range 0-100% LEL (lower explosive limit). The sensor assembly consists of a miniature infrared optical sensor in stainless steel housing, a plug-in control transmitter circuit, a base connector board and an explosion proof enclosure.

- ☞ Electrical Classification: Class I, Division 1, Groups B, C, & D
- ☞ Compatible with PLCs, SCADA, DCS, or a variety of host controllers via 4-20 mA, and/or RS-485, and/or alarm relays
- ☞ Sensor status and parameters accessible via RS-485 (Modbus™)
- ☞ Menu programmable relays standard (two alarms plus fault)
- ☞ Unique miniature field-replaceable optical sensor
- ☞ Simple menu driven calibration - takes less than 3 minutes
- ☞ Backlit LCD and LED indicators for FAULT and CAL status
- ☞ Plug-in field-replaceable transmitter
- ☞ Low power consumption
- ☞ 5-year expected sensor life



DIMENSIONS