



Toll Free: 888-367-4286  
 Phone: 281-367-4100  
 Fax: 281-292-2860

http://www.detcon.com  
 e-mail: sales@detcon.com

# Model 610FB | Gas Detection Control Enclosure

Compatible with Model 10 Control Modules

## SPECIFICATIONS

**Electrical Classification**  
 NEMA 4X raintight

**Dimensions**  
 13 1/4"W x 18 3/4"H x 9 3/4"D

**Capacity**  
 Up to 6  
 single channel control modules

**Power Input**  
 117 VAC/24 VDC standard

**Power Consumption**  
 <5 watts per channel  
 (includes gas sensor & control module)

**Outputs**  
 Discrete analog 4-20 mA DC  
 Serial RS-485 Modbus™  
 Discrete or zoned alarm relays

**Operating Temperature Range**  
 -40°C to +80°C; -40°F to +175°F

**Warranty**  
 One year

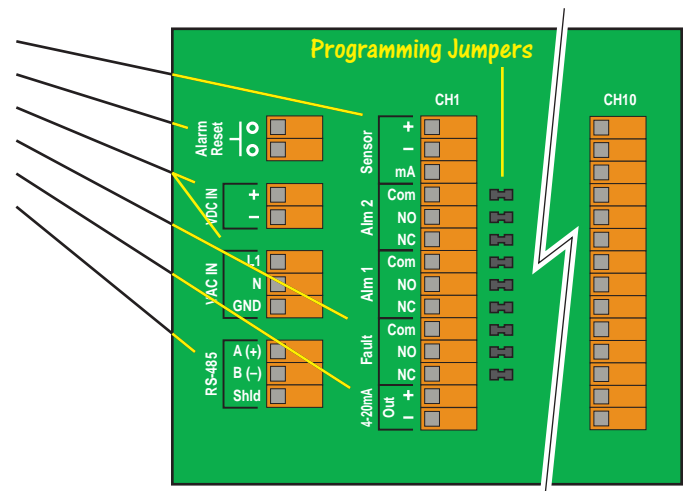
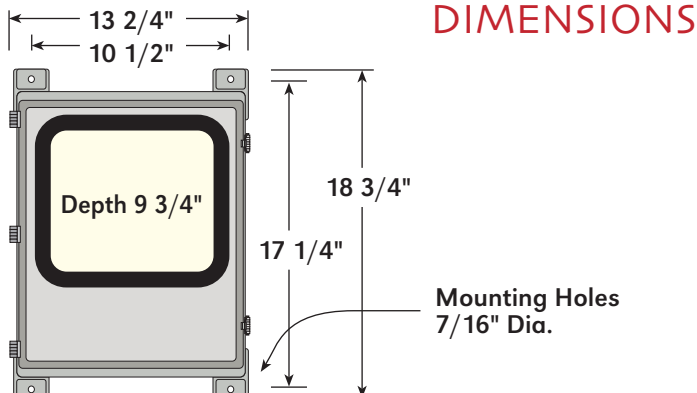


## DESCRIPTION

Detcon Model 610FB control enclosure, along with Model 10 digital control modules, is designed to serve as a host control system for remote mount gas detection sensor assemblies. The single channel modular design can be configured for any combination of gases. All control modules are plug-in front panel accessible for easy maintenance and repair. A "blank plate" can be installed on any unused channel until that channel is needed at some future date. The Model 610FB includes an integral power supply. A power on/off switch and line power fuse are front panel accessible.

- Status and parameters accessible via RS-485 Modbus™
- Discrete or zoned alarm relays (2 alarms plus fault)
- NEMA 4X Raintight
- Modular plug-in design
- 1 to 6 channel capacity
- Discrete analog 4-20 mA outputs
- Compatible with PLC's, SCADA, and DCS

**Sensor connections** include power and 4-20 mA input  
**Alarm reset** is accomplished via a remote normally open momentary switch  
**Power input:** 117 VAC and/or 24 VDC standard  
**Alarm and fault relays** discrete or zoned via gold plated jumper tabs  
**Discrete 4-20 mA output** corresponds to range of detection  
**RS-485** allows access to status and parameters



## ORDER GUIDE

Model 610FB Control Enclosure #954-061050-000  
 Blank Plate #910-000008-003