



Model 440

Microprocessor Based
Gas Alarm Control Panel

Order Part #954-044050-000

Toll Free: 888-367-4286
Phone: 281-367-4100
Fax: 281-292-2860

<http://www.detcon.com>
e-mail: sales@detcon.com

DESCRIPTION

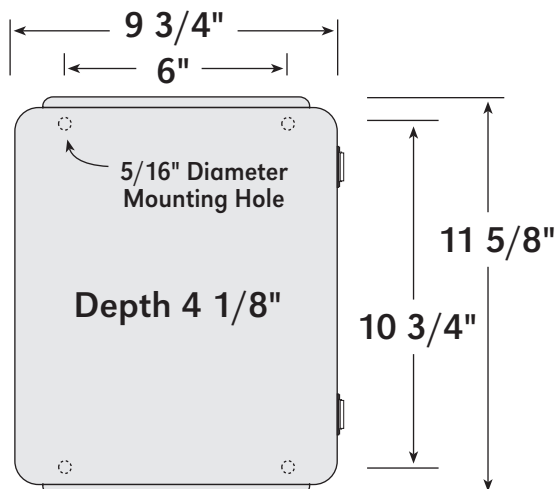
The Detcon Model 440 is a microprocessor based local programmable controller that can receive up to four analog and/or digital logic inputs. The status of the inputs are displayed on a backlit LCD which provides a 20 character line display for each input. Typical status indications include type of detection and current readings. Front panel alarm LEDs and common alarm relay outputs (form "C" dry contacts) are provided for three alarms plus fault. An RS-485 serial output is provided for remote computers or monitoring devices.

The controller includes a power supply and can be powered by 117 VAC or 24 VDC. The enclosure is rated for NEMA 4 locations and is designed for installation and use in small buildings. The remote mount sensors, which are purchased separately, can include any 4-20 mA input device such as toxic gas, combustible gas, or oxygen depletion detectors, or any digital logic input such as liquid level, smoke, heat, etc. A 4-20mA signal output is provided for each channel that is connected to a 4-20mA signal input device. Additional features include an alarm inhibiting calibration switch and an alarm reset switch. The controller design facilitates easy, low cost installation and simplified periodic maintenance.



- Backlit 4 line x 20 character LCD
- Analog or digital inputs
- RS-485 Modbus™ RTU output
- 24 VDC or 117 VAC operation

DIMENSIONS



SPECIFICATIONS

Electrical Classification

NEMA 4X Raintight

Dimensions

9 3/4"W x 11 5/8"H x 4 1/8"D

Capacity

Up to 4 analog/digital inputs

Power Input

117 VAC or 24 VDC standard

Power Consumption

Max 15 watts @ 24 VDC

Outputs

4 ea. Form C contacts Programmable
4-20 mA & RS-485

Inputs

4-20 mA or contact closure

Display

4 x 16 character backlit LCD

Warranty

One year