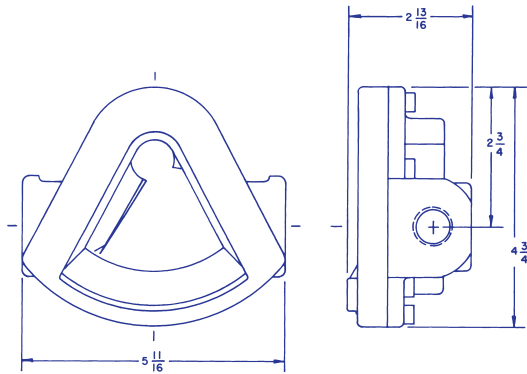
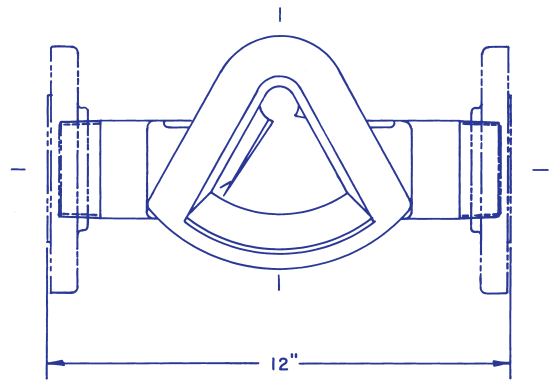


Sight Flow Indicators

1/2", 3/4", & 1" connections



1 1/4" to 6" connections



Pressure Limits: 200 psig (13.8 bar)

Temperature Limits:

- 23 to 85°C (-10 to 185°F)
with Teflon® o-ring at constant temperature conditions.
- 23 to 85°C (-10 to 185°F)
with polycarbonate window.
- 23 to 121°C (-10 to 250°F)
with buna-n o-ring.
- 23 to 204°C (-10 to 400°F)
with Viton® or ethylene propylene o-ring.

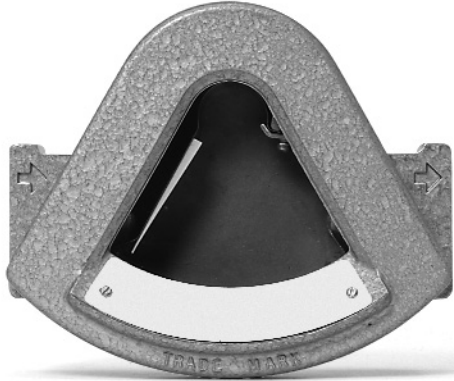
Not intended for use with opaque liquids or steam. ERDCO reserves the right to alter design and/or specifications without notice. Viton® is a registered trademark of E.I. duPont de Nemours and Co.

Model Number System

The example 3121-12F5 describes a 3100 Series See-Flo® meter with a brass body/carbon steel shunt for left to right flow. Connections are 3" 150# raised face carbon steel flanges.

31 Series	2 Housing Material	1 Flow Direction	12 Size	F Type	5 Shunt Material
31-3100	1-Aluminum	1-L to R	02 -1/2" (15mm)	T-NPT End	0-None
	2-Brass	2-R to L	03 -3/4" (20mm)	R-NPT Back	1-Aluminum
	6-Stainless Stl	3-Up	04 -1" (25mm)	S-Tri-clamp	2-Brass
			05 -1 1/4" (32mm)	G-Grooved	5-Carbon Steel
			06 -1 1/2" (40mm)	X-Beveled	6-Stainless Steel
			08 -2" (50mm)	W-Socket End 1/2"-1"	
			10 -2 1/2" (65mm)	F-Flange 150#RF	
			12 -3" (80mm)	H-Flange 150#FF	
			16 -4" (100mm)	J-Flange 300#RF	
			20 -5" (125mm)	K-Flange 300#FF	
			24 -6" (150mm)	L-Flange DIN PN 10	
				M-Metric Thread End	
				N-Metric Thread Back	

Sight Flow Indicators



See-Flo® sight flow indicators show you at a glance, the color, clarity and flow of liquids in process lines. The large tempered glass window permits easy observation of fluid conditions and vane indicator position.

The wedge shape of the meter housing makes See-Flo® practically self-cleaning. Where periodic maintenance might be necessary, the window is easily removed and replaced. *As this is a sight flow indicator, it does not include a calibrated scale.*

Features

- Observe fluid conditions for color, clarity and flow.
- Repeatability vane indication-same position at same flow rate.
- This enables the user to mark a normal condition on the ledge below the pointer.
- Use in horizontal or vertical piping systems.
- Low pressure loss.
- Simple design with few parts for long service life.

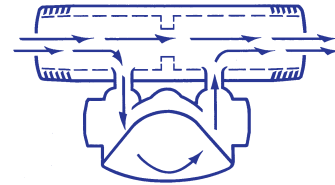
Principle of Operation

See-Flo® sight flow indicators utilize variable area body housings. The internal volume of the housing enlarges from the inlet to the outlet.

The primary element is a tempered alloy vane with one end affixed to the apex of the meter housing. As the flow rate changes, the vane is flexed in direct proportion.



1/2", 3/4", and 1" connections typically have female threaded ends. Sizes from 1 1/4" through 6" utilize a shunt design.



This integral by-pass housing enables larger connection sizes in the format of a spool with a constant 12" end to end dimension. In addition, it permits a wide variety of connection types which include threaded, flanged, grooved ends and tri-clamp.

Applications

- Water
- Transparent liquids

Specifications

Materials of Construction: (wetted parts)

Housing:	aluminum, brass or 316 stainless steel
Shunt:	housing material or carbon steel
Window:	tempered glass
Vane:	17-7 ph stainless steel
"O" Rings:	Buna-n or Viton®

Piping Connections:

- 1/2" to 1" NPT Female
- 1 1/4" to 4" NPT Male
- 1/2" to 3" Tri-clamp
- 1 1/4" to 6" Grooved
- 1 1/4" to 6" Beveled
- 1/2" to 6" 150#/300# RF/FF ANSI Flanges (carbon stl)
- 1/2" to 6" 150# RF ANSI Flanges (stainless steel)
- 1/2" to 6" 150#/300# RF ANSI Flanges (aluminum)
- 1/2" to 6" 150# FF ANSI Flanges (brass)
- 15 to 25 mm DIN 2999/BS21/ISO R7 Female threaded
- 15 to 150 mm DIN PN 10 Flanges (316 stainless stl & carbon stl)